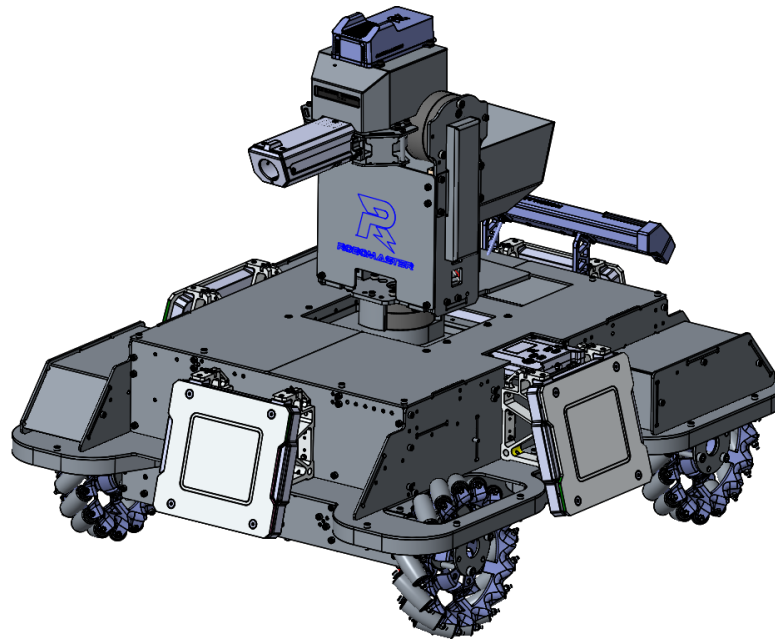


# RoboMaster

Type A 2020 Self-Assembly Robot  
竞赛机器人 2020 自组装版 A 型



2020.11



## Disclaimer

Thank you for purchasing this ROBOMASTER™ Type A 2020 Self-Assembly Robot product. Read this disclaimer carefully before using this product. By using this product, you hereby agree to this disclaimer and signify that you have read it carefully. Install and use this product in strict accordance with the document. SZ DJI TECHNOLOGY CO., LTD. and its affiliated companies assume no liability for damages or injuries incurred directly or indirectly from using, installing or modifying this product improperly, including but not limited to using non-designated accessories.

DJI™ and RoboMaster™ are trademarks or registered trademarks of SZ DJI TECHNOLOGY CO., LTD. (abbreviated as “DJI”) and its affiliated companies. Names of products, brands, etc. appearing in this document are trademarks or registered trademarks of their respective owner companies. This product and document are copyrighted by DJI with all rights reserved. No part of this product or document shall be modified, reproduced or transmitted in any form without the prior written consent or authorization of DJI.

The final interpretation right of this disclaimer is reserved by DJI.

## 免责声明

感谢您购买 RoboMaster™ 竞赛机器人 2020 自组装版 A 型。在使用之前，请仔细阅读本声明，一旦使用，即被视为对本声明全部内容的认可和接受。请严格遵守手册、产品说明和相关的法律法规、政策、准则安装和使用该产品。因用户不当使用、安装、改装造成的任何损失，DJI™ 将不承担法律责任。

DJI 和 RoboMaster 是深圳市大疆创新科技有限公司及其关联公司的商标。本文出现的产品名称、品牌等，均为其所属公司的商标。本产品及手册为大疆™ 创新版权所有。未经许可，不得以任何形式复制翻印。




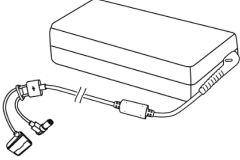
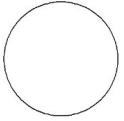

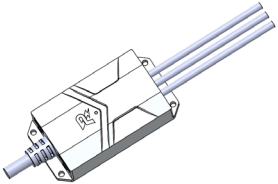

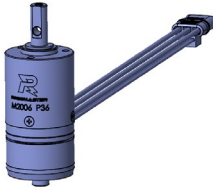

关于免责声明的最终解释权，归大疆创新所有。

## In the Box

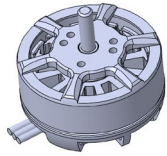
Check that all of the following items are in the package before using the product. In case any item is missing, contact RoboMaster or your distributor.

## 物品清单

使用本产品之前，请检查产品包装内是否包含以下所有物品。若有缺失，请联系 RoboMaster 组委会或您的代理商。

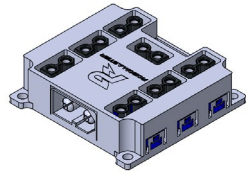
 × 1	 × 1	 × 1	 × 1	 × 500
RoboMaster Robot Remote Controller RoboMaster 机器人专用遥控器套装	RoboMaster RFID Card (self-provided) RoboMaster 标签模块 (用户自备)	RoboMaster TB47 Battery 100 W Charger AC Cable (self-provided) RoboMaster TB47 电池 100W 充电器 AC 线 (用户自备)	180W Charger 180W 充电器单品	RoboMaster 17mm Florescent Projectile RoboMaster 17mm 荧光弹丸
 × 1	 × 4	 × 2	 × 1	 × 4
RoboMaster C610 Brushless DC Motor Speed Controller RoboMaster C610 无刷电机调速器	RoboMaster C620 Brushless DC Motor Speed Controller RoboMaster C620 无刷电机调速器	RoboMaster GM6020 Brushless DC Motor RoboMaster GM6020 直流无刷电机	RoboMaster M2006 P36 Brushless DC Gear Motor RoboMaster M2006 P36 直流无刷减速电机	RoboMaster M3508 P19 Brushless DC Gear Motor RoboMaster M3508 P19 直流无刷减速电机

× 2



RoboMaster SNAIL 2305 Brushless DC Motor  
RoboMaster SNAIL 2305 直流无刷电机

× 2



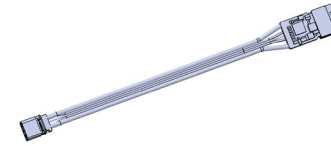
RoboMaster ESC Center Board 2  
RoboMaster 电调中心板 2

× 1



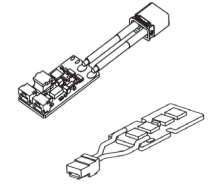
RoboMaster Development Board Type C  
RoboMaster 开发板 C 型

× 2



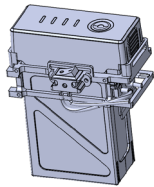
RoboMaster C615 Brushless DC Motor Speed Controller  
RoboMaster C615 无刷电机调速器

× 1



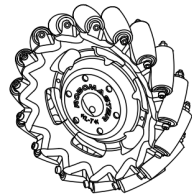
RoboMaster 17mm Fluorescent Projectile Charger  
RoboMaster 17mm 荧光弹丸充能装置

× 1



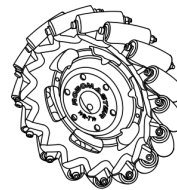
TB47S Battery (with Battery Rack)  
TB47S 电池 (含电池架)

× 2



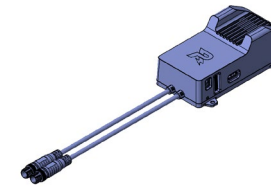
RoboMaster Mecanum Wheel (right)  
RoboMaster 右旋麦克纳姆轮

× 2



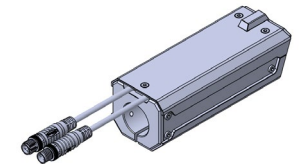
RoboMaster Mecanum Wheel (left)  
RoboMaster 左旋麦克纳姆轮

× 1



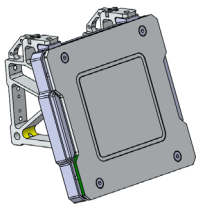
RoboMaster VTM Transmitter VT02 (self-provided)  
RoboMaster 裁判系统相机图传模块 (发送端) VT02 (用户自备)

× 1



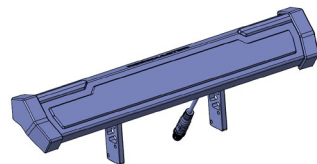
RoboMaster Referee System Speed Monitor Module SM01 (self-provided)  
RoboMaster 裁判系统测速模块 SM01 (用户自备)

× 4



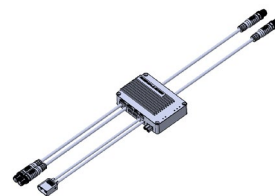
RoboMaster Referee System Armor Module AM02 and Armor Frame AH02 (self-provided)  
RoboMaster 裁判系统装甲模块 AM02 及装甲支撑架 AH02 (用户自备)

× 1



RoboMaster Referee System Light Indicator Module LI01 (self-provided)  
RoboMaster 裁判系统灯条模块 LI01 (用户自备)

× 1



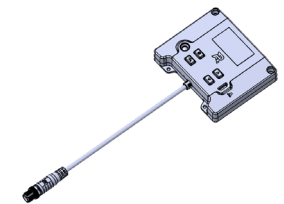
RoboMaster Referee System Power Management Module PM02 (self-provided)  
RoboMaster 裁判系统电源管理模块 PM02 (用户自备)

× 1



RoboMaster Referee System RFID Interaction Module FI02 (self-provided)  
RoboMaster 裁判系统场地交互模块 FI02 (用户自备)

× 1



RoboMaster Referee System Main Controller Module MC02 (self-provided)  
RoboMaster 裁判系统主控模块 MC02 (用户自备)

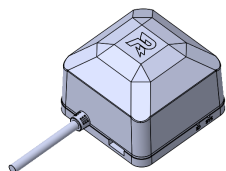
× 1



RoboMaster Video Transmitter Module VT12 (with adapter, self-provided)

RoboMaster 裁判系统图传模块 VT12 (含适配器, 用户自备)

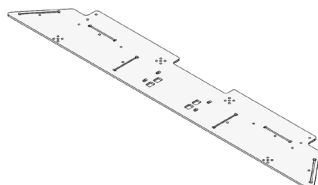
× 1



Referee System UWB Module (self-provided)

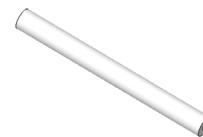
裁判系统 UWB 模块 (用户自备)

× 2



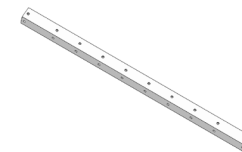
A-01

× 12



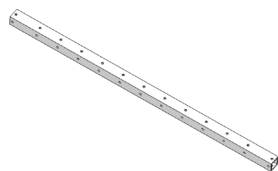
A-02

× 4



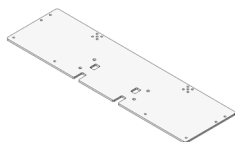
A-03 (312)

× 2



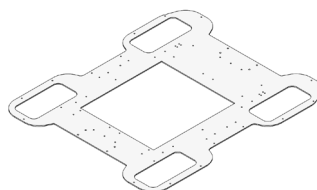
A-04 (402)

× 2



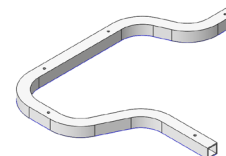
A-05

× 1



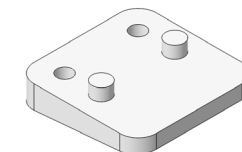
A-06

× 4



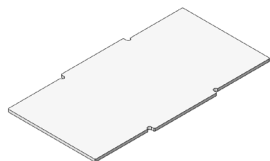
A-07

× 2



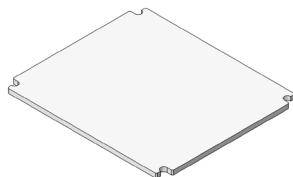
A-08

× 4



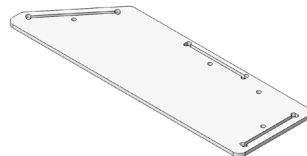
A-09

× 4



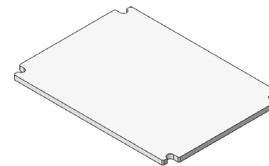
A-10

× 4



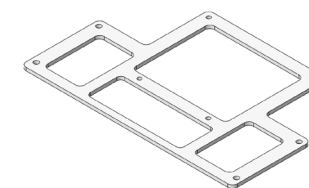
A-11

× 4



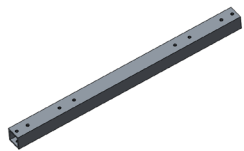
A-12

× 1



A-13

× 1



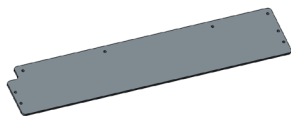
A-14 ( 245 )

× 2



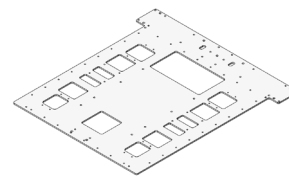
A-15

× 2



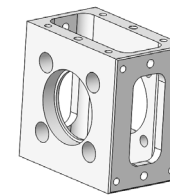
B-01

× 1



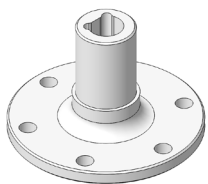
B-02

× 4



B-03

× 4



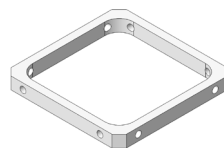
B-04

× 4



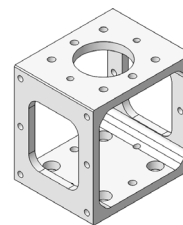
B-05

× 4



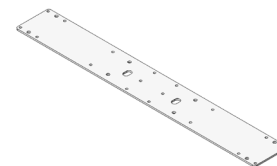
B-06

× 2



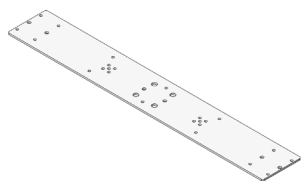
B-07

× 3



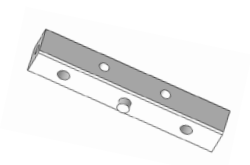
B-08

× 2



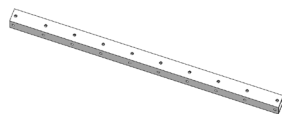
B-09

× 14



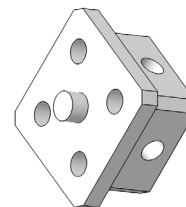
B-10

× 2



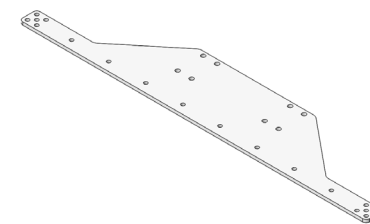
B-11 ( 299 )

× 20



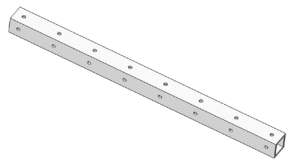
B-12

× 1



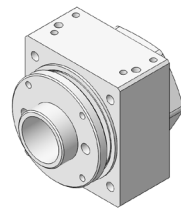
B-13

×2



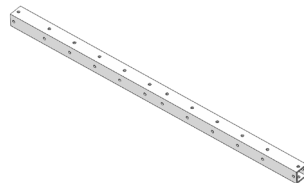
B-14 ( 240 )

×1



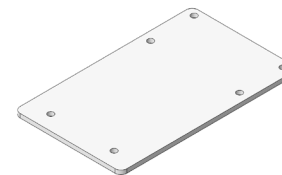
B-15

×2



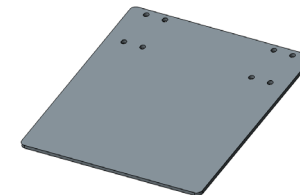
B-16 ( 364.5 )

×2



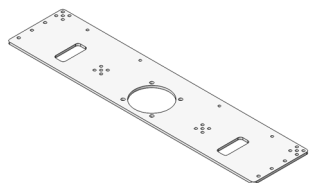
B-17

×1



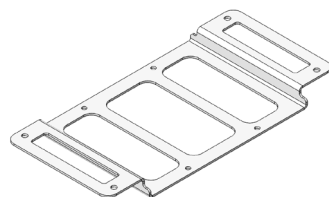
B-18

×1



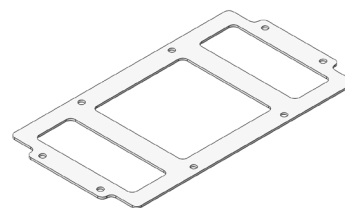
B-19

×1



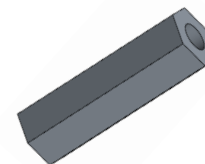
B-20

×1



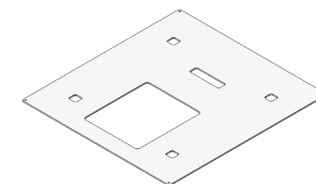
B-21

×8



B-22  
(M3\*16 Double-End Copper Pillar)  
( M3\*16 双头铜柱 )

×1



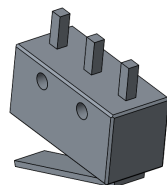
B-23

×1



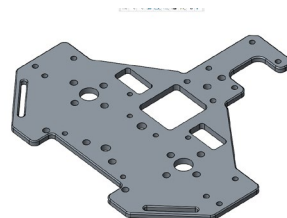
C-01

×1



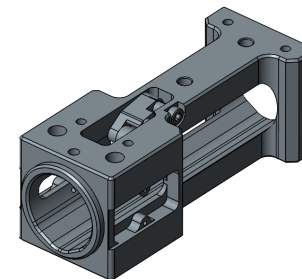
C-02

×1



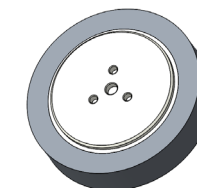
C-03

×1



C-04

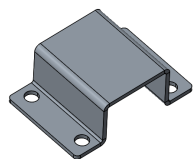
×2



C-05

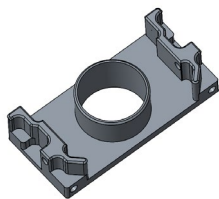


×1



C-06

×1



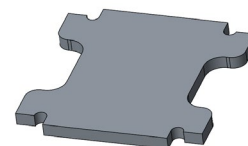
C-07

×1



C-08

×2



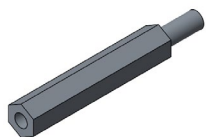
C-09

×2



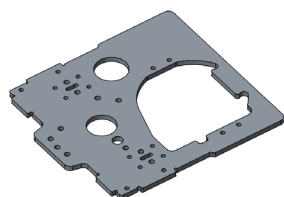
C-10

×4



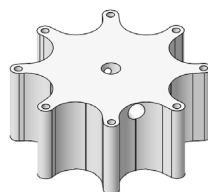
C-11

×1



D-01

×1



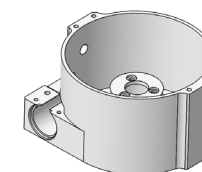
D-02

×8



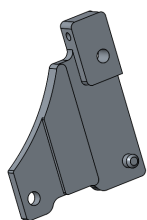
D-03

×1



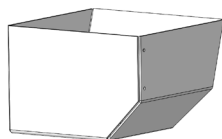
D-04

×1



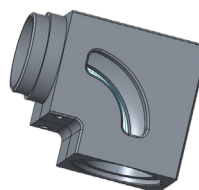
D-05

×1



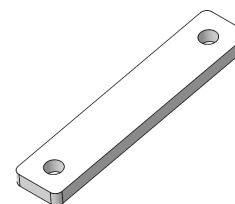
D-06

×2



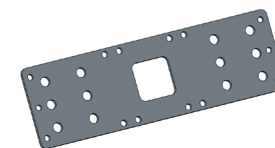
D-07

×1



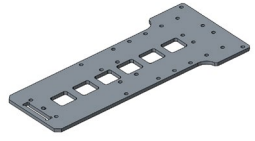
D-08

×1



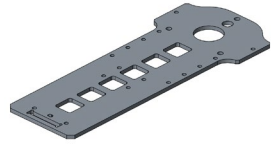
D-09

x1



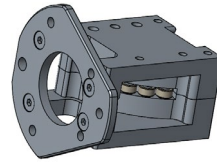
D-10

x1



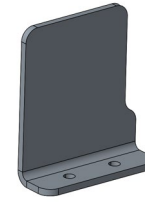
D-11

x1



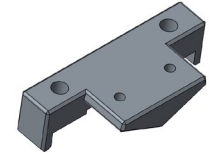
D-12

x1



D-13

x1



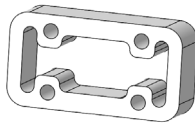
D-14

x1



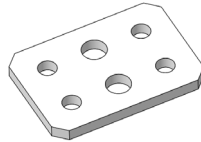
D-15

x1



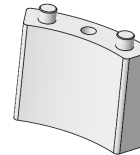
D-16

x1



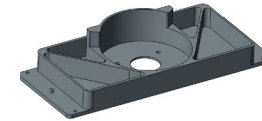
D-17

x1



D-18

x1



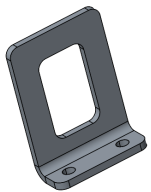
D-19

x1



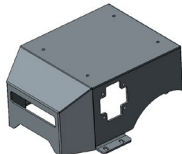
D-20

x1



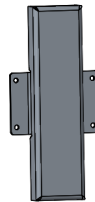
D-21

x1



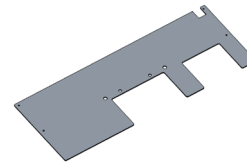
D-22

x1



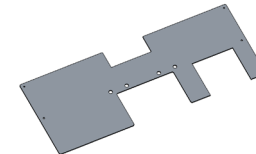
D-23

x1



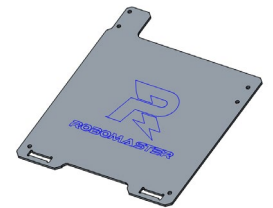
D-24

x1



D-25

x1



D-26

## Read the following instructions carefully before mounting:

- ① in the assembly diagrams indicates the screw type, and the number after the multiplication symbol denotes the quantity of the screw type required for assembly. Refer to the screw details on the list of items to make sure the correct screw types are used. For example: ② x5 means five ② cap head screws are required.
- Apply a suitable amount of thread-locking fluid when fastening the screws to prevent loosening.
- Fasten using suitable locknuts according to the diagrams during the mounting.
- Apply force evenly during all mounting steps. Press components in slowly and avoid using excessive force.
- The final section of this manual contains wiring recommendations which are provided for reference only. Install the cables according to the instructions and complete cabling correctly between the modules during the assembling process. (Note that cables that are not marked in the cabling diagrams are already connected to the module)

### Screw Type

- |                          |                          |
|--------------------------|--------------------------|
| ① M2*5 Cap Head Screw    | ⑬ M3*20 Cap Head Screw   |
| ② M2*8 Cap Head Screw    | ⑭ M3*22 Cap Head Screw   |
| ③ M2.5*5 Cap Head Screw  | ⑮ M3*35 Cap Head Screw   |
| ④ M2.5*8 Cap Head Screw  | ⑯ M4*8 Cap Head Screw    |
| ⑤ M2.5*10 Cap Head Screw | ⑰ M4*10 Cap Head Screw   |
| ⑥ M2.5*12 Cap Head Screw | ⑱ M5*12 Cap Head Screw   |
| ⑦ M2.5*20 Cap Head Screw | ⑲ M5*40 Cap Head Screw   |
| ⑧ M3*6 Cap Head Screw    | ⑳ M2.5*14 Cap Head Screw |
| ⑨ M3*8 Cap Head Screw    |                          |
| ⑩ M3*12 Cap Head Screw   |                          |
| ⑪ M3*14 Cap Head Screw   |                          |
| ⑫ M3*16 Cap Head Screw   |                          |

### Screw Nut Type

- M2.5 Locknut  
M3 Locknut  
M5 Locknut

### Bearing Type

- Bearing 1: Inner diameter 17 mm, Outer diameter 26 mm, Thickness 5 mm \*4  
Bearing 2: Inner diameter 20 mm, Outer diameter 27 mm, Thickness 4 mm \*1

### Cables

.No	Module	Connector - connector - length/mm	Connecting modules (module A - module B)
1	Chassis	xt30 Male - xt30 Male - 500	RoboMaster Referee System Power Management Module PM02--Yaw Axis ESC Center Board 2
2	Chassis	xt30 Male - xt30 Male - 150	RoboMaster Referee System Power Management Module PM02--Chassis ESC Center Board 2
3	Chassis	3-pin UART- 3pinUART - 710	RoboMaster Referee System Power Management Module PM02--RoboMaster Development Board Type C
4	Chassis	2-pin CAN – 2-pin CAN - 710	Chassis ESC Center Board 2-RoboMaster Development Board Type C
5	Gimbal	4-pin CAN – 4-pin CAN - 360	Yaw Axis ESC Center Board 2-RoboMaster Development Board Type C
6	Gimbal	xt30 Male - xt30 Female - 400	Yaw Axis ESC Center Board 2-RoboMaster Development Board Type C
7	Gimbal	xt30 Male - xt30 Female - 100	Yaw Axis ESC Center Board 2-GM6020 Brushless DC Motor pitch
8	Gimbal	2-pin CAN – 2-pin CAN - 80	Yaw Axis ESC Center Board 2- GM6020 Brushless DC Motor pitch
9	Gimbal	xt30 Male - xt30 Female -190	Yaw Axis ESC Center Board 2-GM6020 Brushless DC yaw
10	Gimbal	2-pin CAN – 2-pin CAN - 160	Yaw Axis ESC Center Board 2-GM6020 Brushless DC yaw

\* The “connector - connector - length” configuration applies to cables 1 - 10

## 安装前，请仔细阅读下面提示：

1. 安装图示中 (①) 代表螺钉型号，乘号后的数字代表图示安装步骤中所需该型号的螺钉数量，请参考物品清单中螺钉的相关内容，使用正确型号的螺钉。  
例如：② × 5，表示②号杯头螺钉需要五颗。
2. 使用螺钉固定时均需添加适量螺纹胶，防止螺钉松动。
3. 安装过程中，请根据图示选择合适的防松螺母进行加固。
4. 所有装配步骤都务必均匀用力，缓慢压入，切勿暴力安装。
5. 此手册末尾部分为推荐布线方式，仅供参考。请注意装配过程中，根据提示进行连线，完成模块之间的正确连接。（部分连接图示中未对线材进行标记，表示该线材为模块自带）

### 螺钉型号

- |                |                |
|----------------|----------------|
| ① M2*5 杯头螺钉    | ⑫ M3*16 杯头螺钉   |
| ② M2*8 杯头螺钉    | ⑬ M3*20 杯头螺钉   |
| ③ M2.5*5 杯头螺钉  | ⑭ M3*22 杯头螺钉   |
| ④ M2.5*8 杯头螺钉  | ⑮ M3*35 杯头螺钉   |
| ⑤ M2.5*10 杯头螺钉 | ⑯ M4*8 杯头螺钉    |
| ⑥ M2.5*12 杯头螺钉 | ⑰ M4*10 杯头螺钉   |
| ⑦ M2.5*20 杯头螺钉 | ⑱ M5*12 杯头螺钉   |
| ⑧ M3*6 杯头螺钉    | ⑲ M5*40 杯头螺钉   |
| ⑨ M3*8 杯头螺钉    | ⑳ M2.5*14 杯头螺钉 |
| ⑩ M3*12 杯头螺钉   |                |
| ⑪ M3*14 杯头螺钉   |                |

### 螺母型号

- M2.5 锁紧螺母  
M3 锁紧螺母  
M5 锁紧螺母

### 轴承型号

- 轴承 1 内径 17 外径 26 厚度 5 mm \*4  
轴承 2 内径 20 外径 27 厚度 4 mm \*1

### 线材

编号	模块	连接器 - 连接器 - 长度 /mm	连接模块 (A 模块 -B 模块)
1	底盘	xt30 公 -xt30 公 -500	RoboMaster 裁判系统电源管理模块 PM02--yaw 轴电调中心板 2
2	底盘	xt30 公 -xt30 公 -150	RoboMaster 裁判系统电源管理模块 PM02-- 底盘电调中心板 2
3	底盘	3pinUART-3pinUART-710	RoboMaster 裁判系统电源管理模块 PM02--RoboMaster 开发板 c 型
4	底盘	2pinCAN-2pinCAN-710	底盘电调中心板 2-RoboMaster 开发板 c 型
5	云台	4pinCAN-4pinCAN-360	yaw 轴电调中心板 2-RoboMaster 开发板 c 型
6	云台	xt30 公 -xt30 母 -400	yaw 轴电调中心板 2-RoboMaster 开发板 c 型
7	云台	xt30 公 -xt30 母 -100	yaw 轴电调中心板 2-GM6020 直流无刷电机 pitch
8	云台	2pinCAN-2pinCAN-80	yaw 轴电调中心板 2-GM6020 直流无刷电机 pitch
9	云台	xt30 公 -xt30 母 -190	yaw 轴电调中心板 2-GM6020 直流无刷电机 yaw
10	云台	2pinCAN-2pinCAN-160	yaw 轴电调中心板 2-GM6020 直流无刷电机 yaw

\* 连接器 - 连接器 - 长度，该特征符合 1-10 号线材

The item list of RoboMaster Type A 2020 Self-Assembled Robot does not include the following parts:

A-01, A-05, A-06, A-09, A-10, A-11, A-12, A-13

B-01, B-05, B-08, B-09, B-13, B-17, B-18, B-19, B-21, B-23

C-08, C-09

D-01, D-08, D-09, D-10, D-11, D-17, D-24, D-25, D-26

The above parts are all made of glass fiberboard materials. Please refer to the open source 3D model to produce drawings and design by yourself.

This assembly manual is for reference only.

The 3D model drawings and other documents are available at:

<https://www.robomaster.com/en-US/products/components/detail/2712>

**RoboMaster 竞赛机器人 2020 自组装版 A 版物品清单不包括以下零件：**

A-01、A-05、A-06、A-09、A-10、A-11、A-12、A-13

B-01、B-05、B-08、B-09、B-13、B-17、B-18、B-19、B-21、B-23

C-08、C-09

D-01、D-08、D-09、D-10、D-11、D-17、D-24、D-25、D-26

以上零件材质均为玻纤板材料，具体尺寸请参照已开源的三维模型自行出图加工设计。

本装配手册仅供参考。

**三维模型图纸及其它文件的下载地址：**

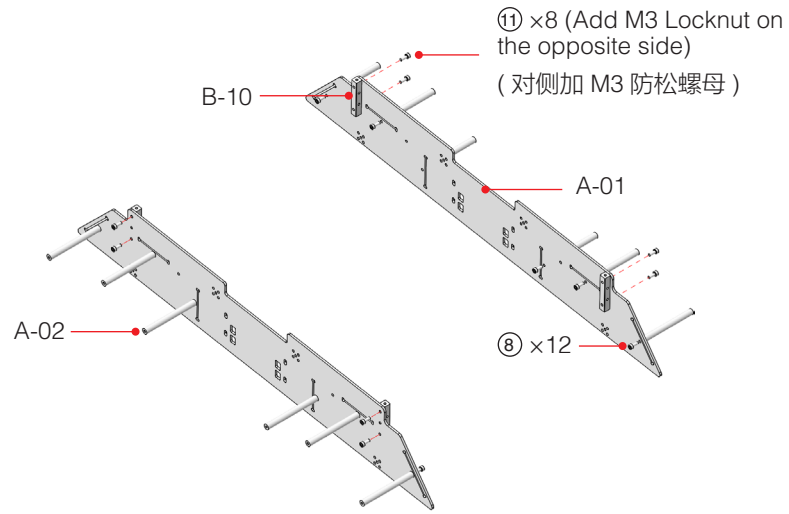
<https://www.robomaster.com/zh-CN/products/components/detail/2711>



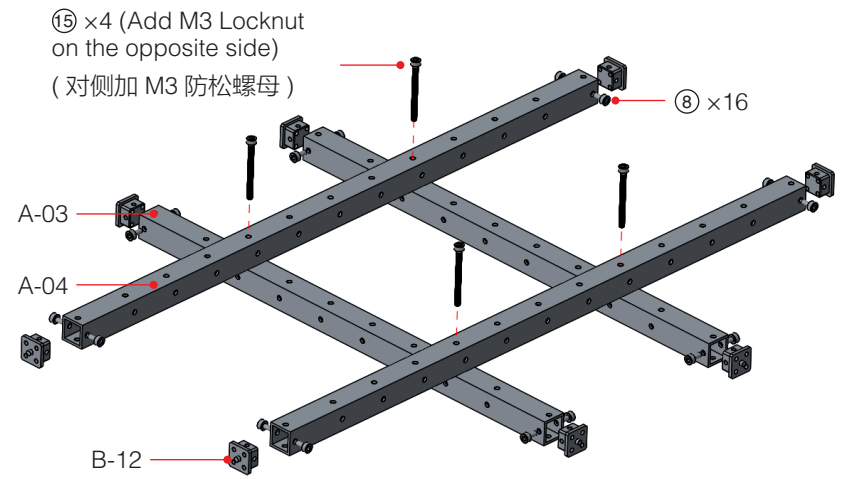
**Step 1**    Assembling Top of Chassis

**第一步**    组装底盘上部

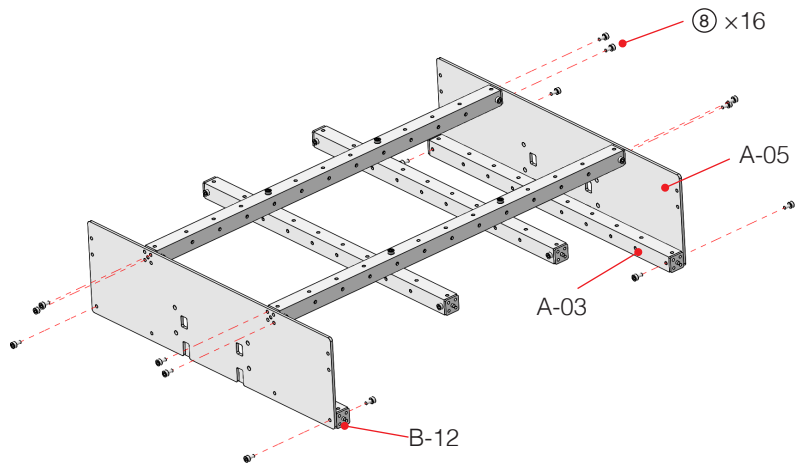
1



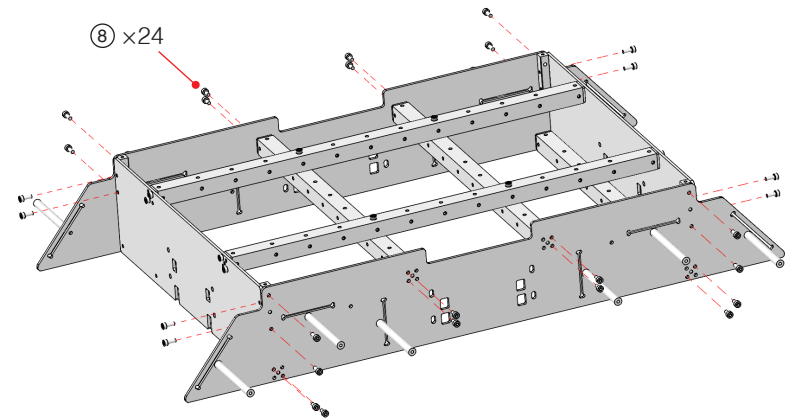
2



3



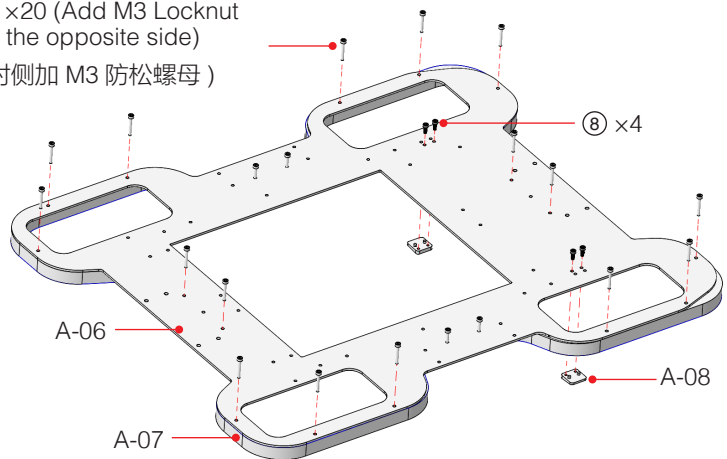
4





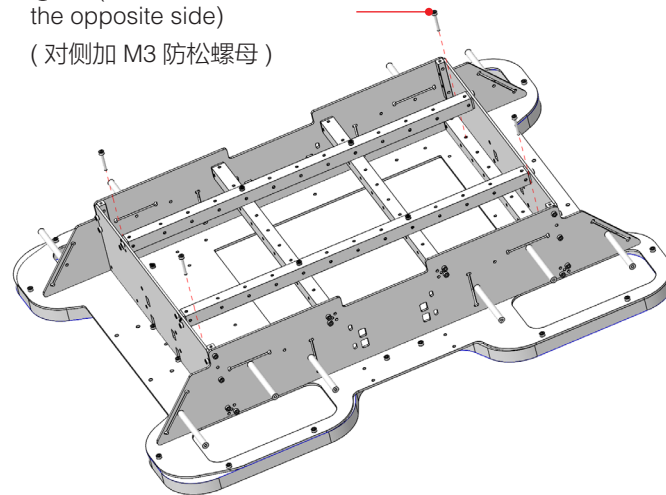
5

⑭ × 20 (Add M3 Locknut on the opposite side)  
(对侧加 M3 防松螺母)

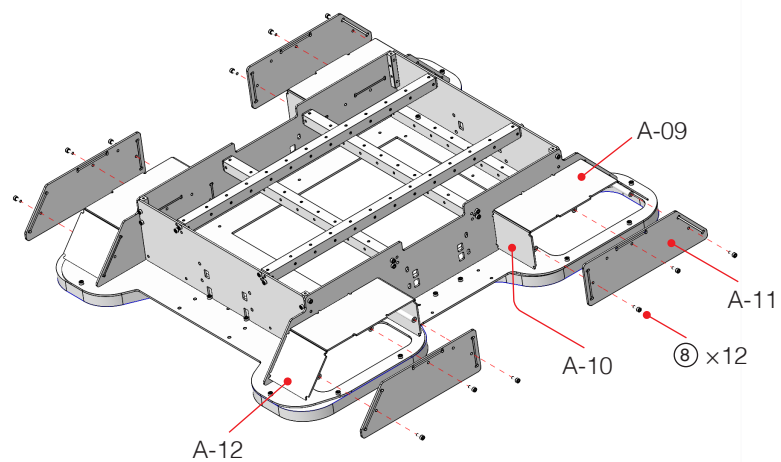


6

⑭ × 4 (Add M3 Locknut on the opposite side)  
(对侧加 M3 防松螺母)



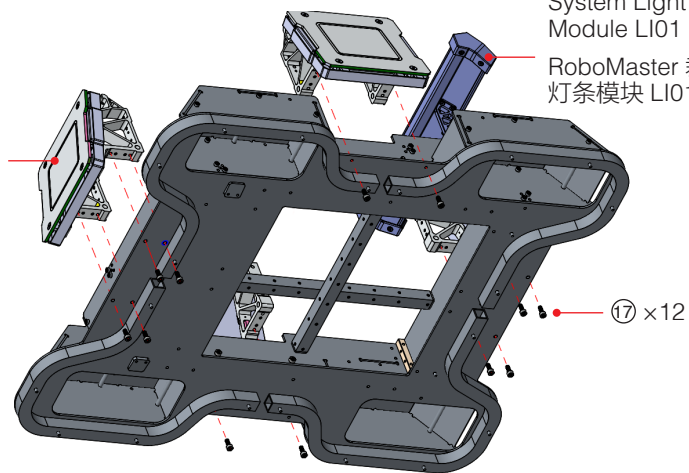
7



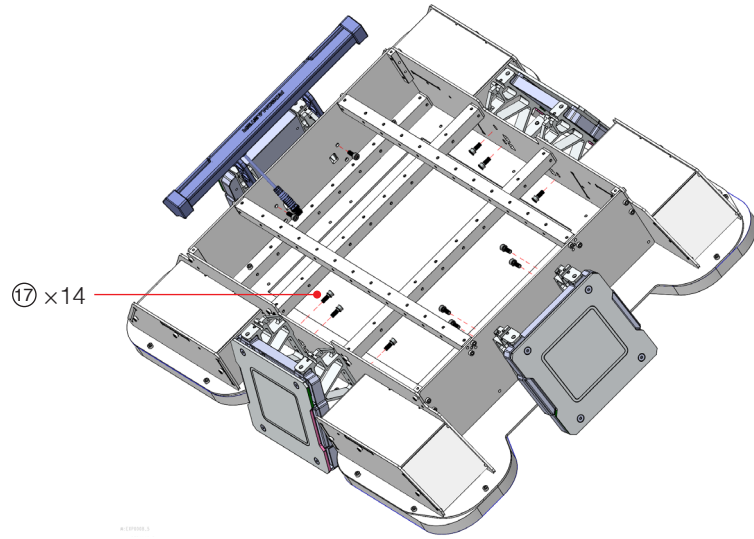
8

RoboMaster Referee System Armor Module  
RoboMaster 裁判系统装甲模块

RoboMaster Referee System Light Indicator Module LI01  
RoboMaster 裁判系统灯条模块 LI01

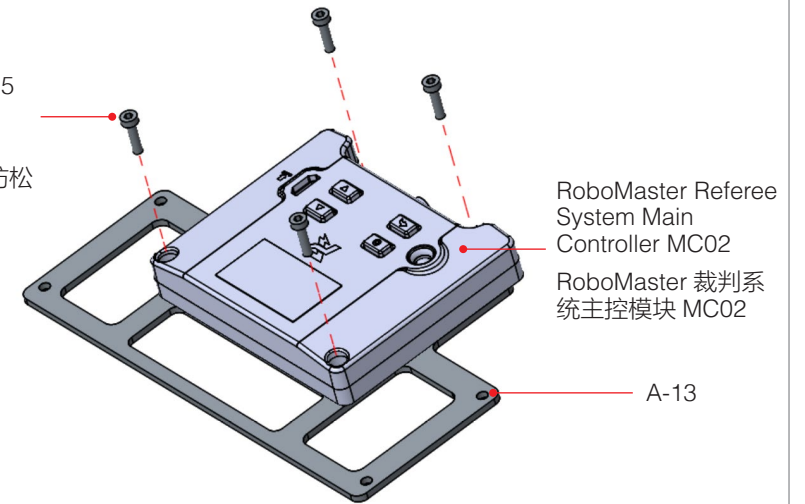


9

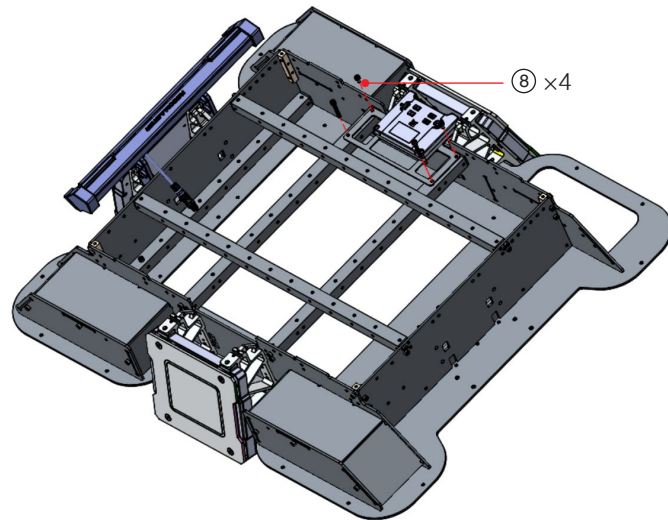


10

④ × 4 (Add M2.5  
Locknut on the  
opposite side)  
(对侧加 M2.5 防松  
螺母)



11

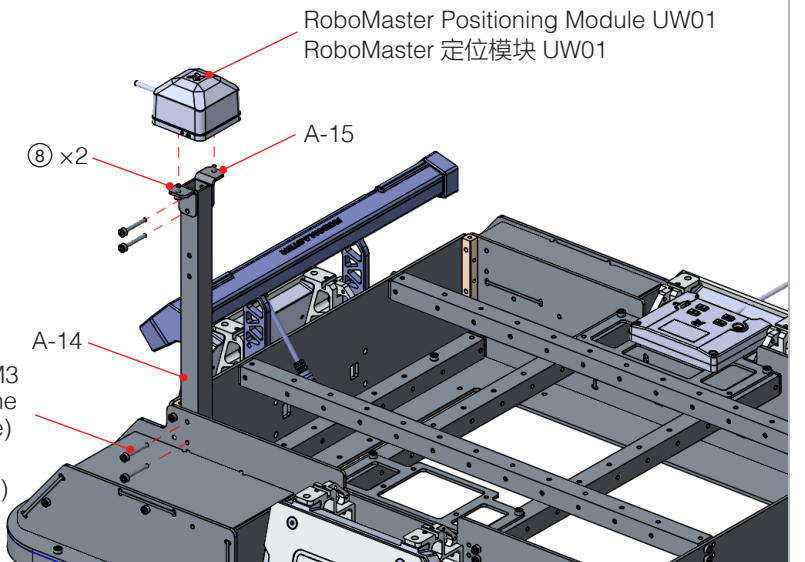


12

RoboMaster Positioning Module UW01  
RoboMaster 定位模块 UW01

⑧ × 2

⑭ × 4 (Add M3  
Locknut on the  
opposite side)  
(对侧加  
M3 防松螺母)

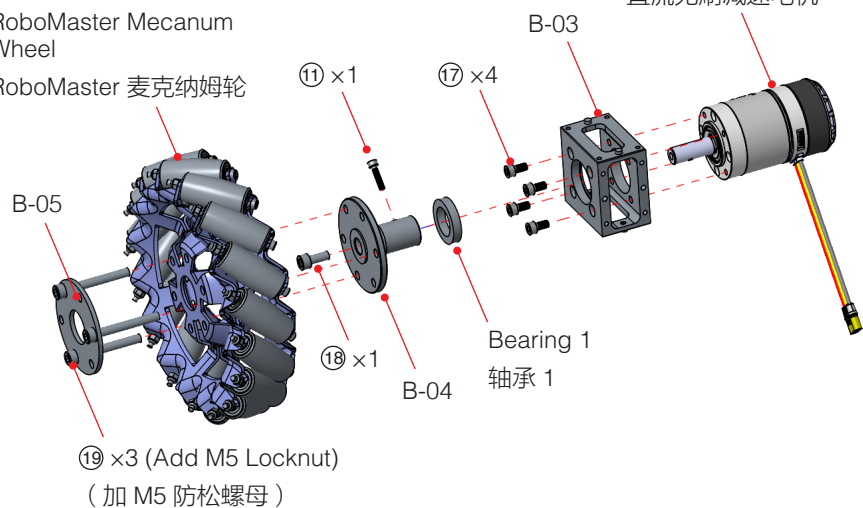


**Step 2** Assembling Bottom of Chassis  
**第二步** 组装底盘下部

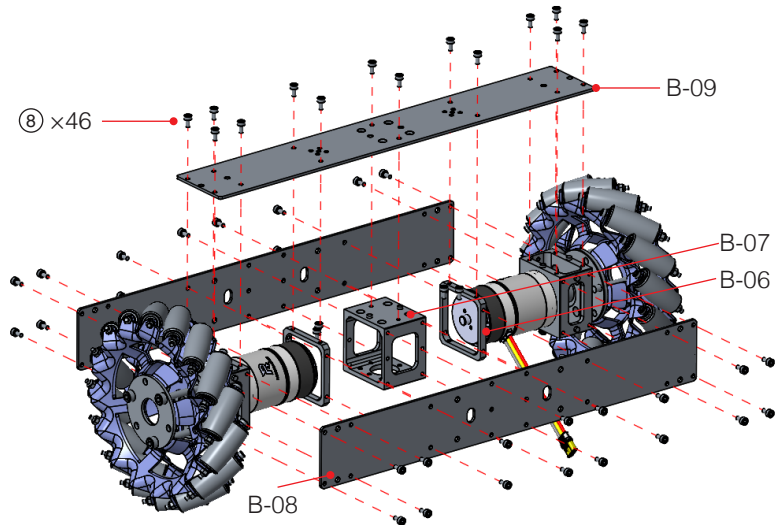
13

RoboMaster Mecanum Wheel  
RoboMaster 麦克纳姆轮

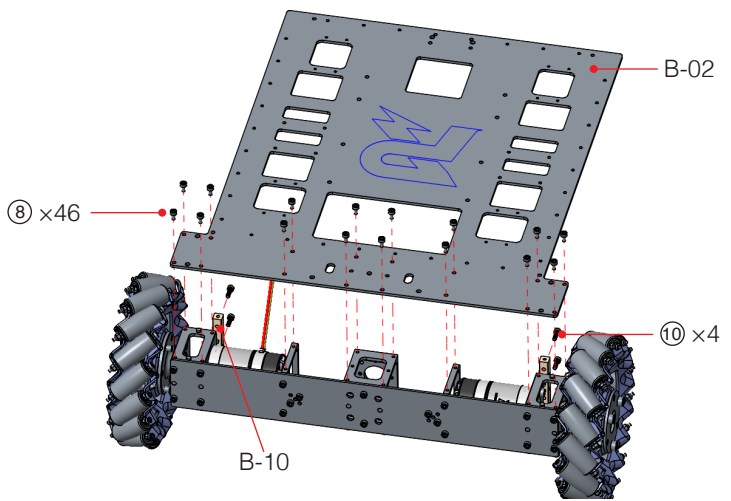
RoboMaster M3508 P19  
Brushless DC Gear Motor  
RoboMaster M3508 P19  
直流无刷减速电机



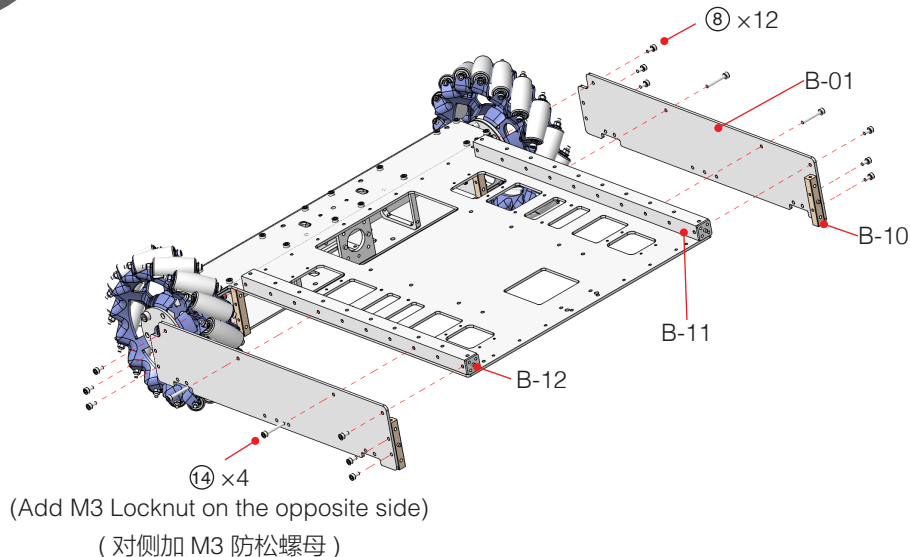
14



15

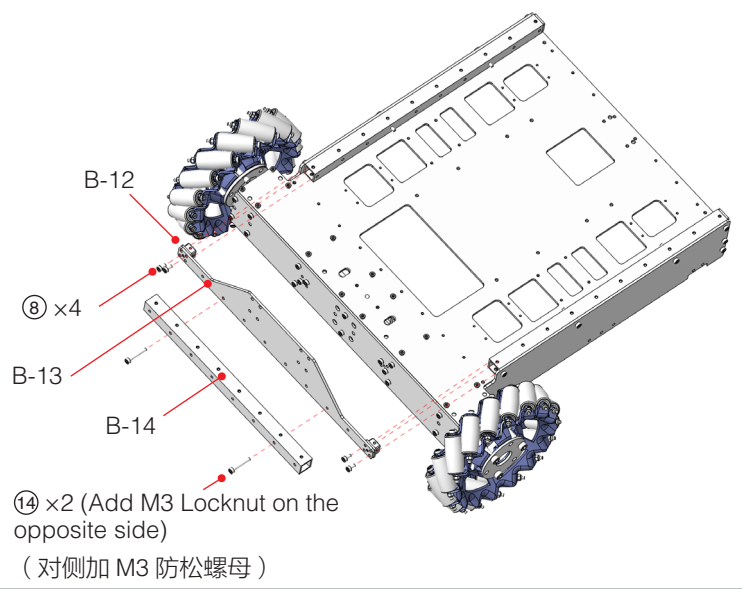


16

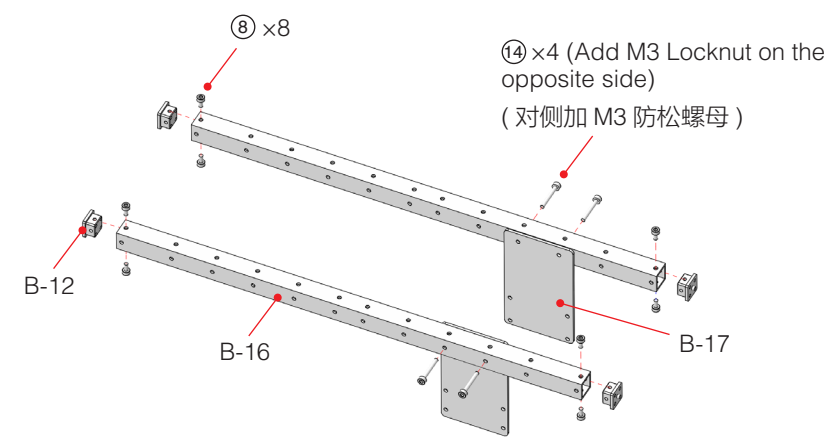


(Add M3 Locknut on the opposite side)  
(对侧加 M3 防松螺母)

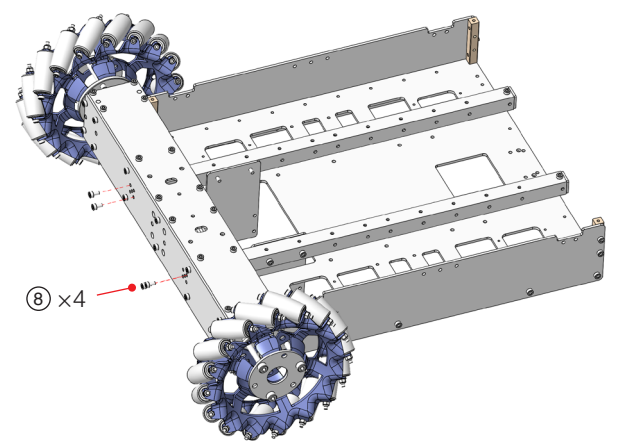
17



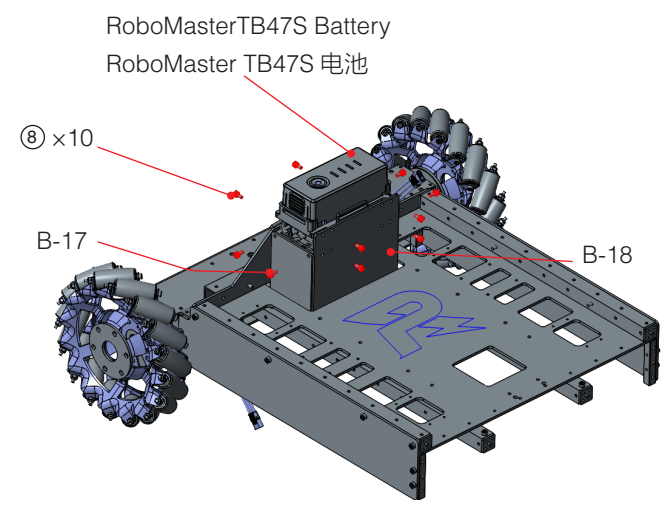
18



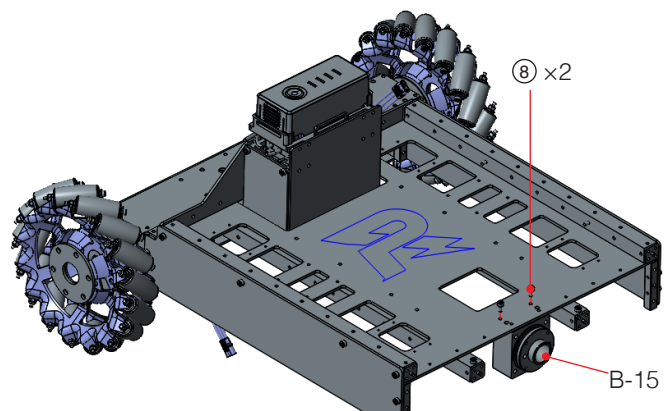
19



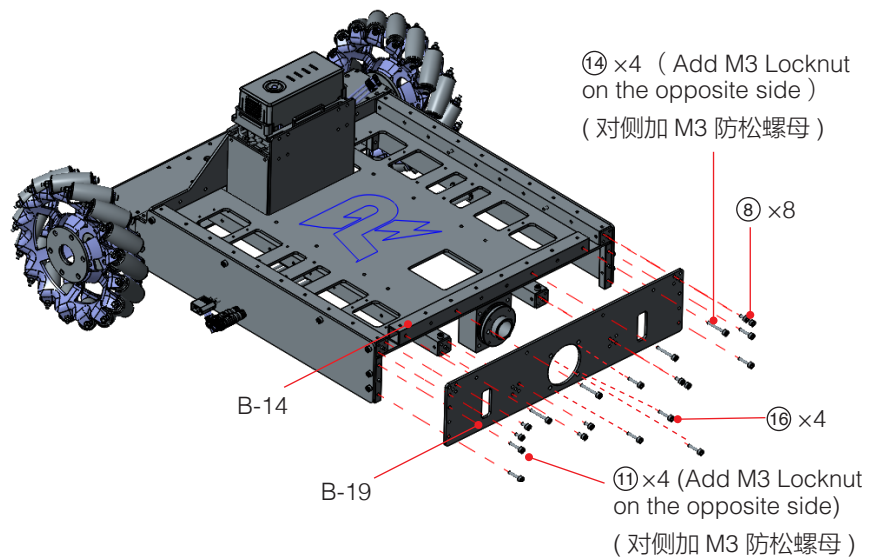
20



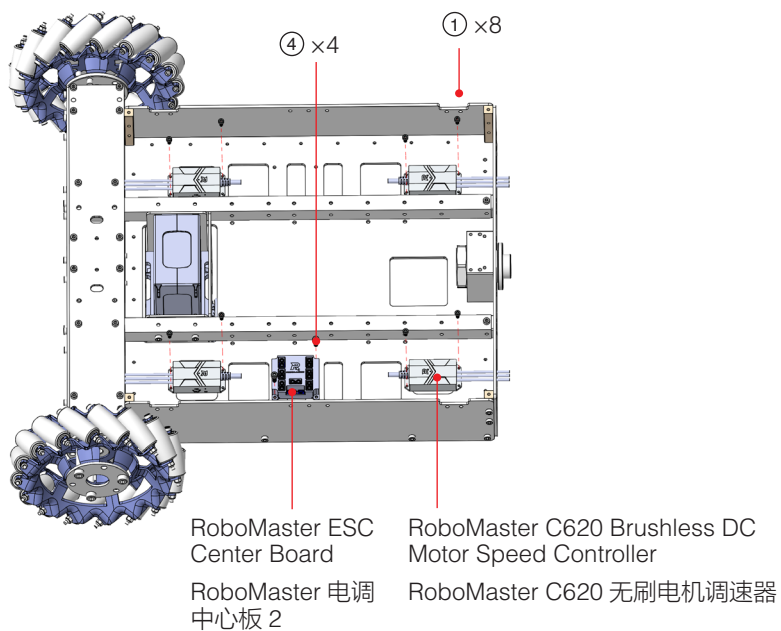
21



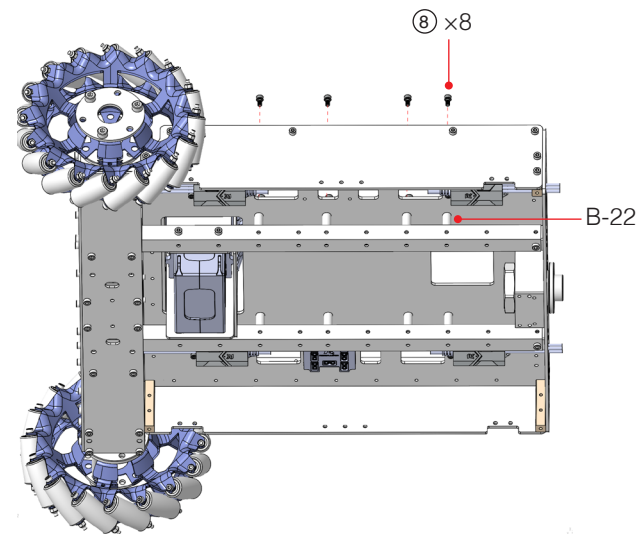
22



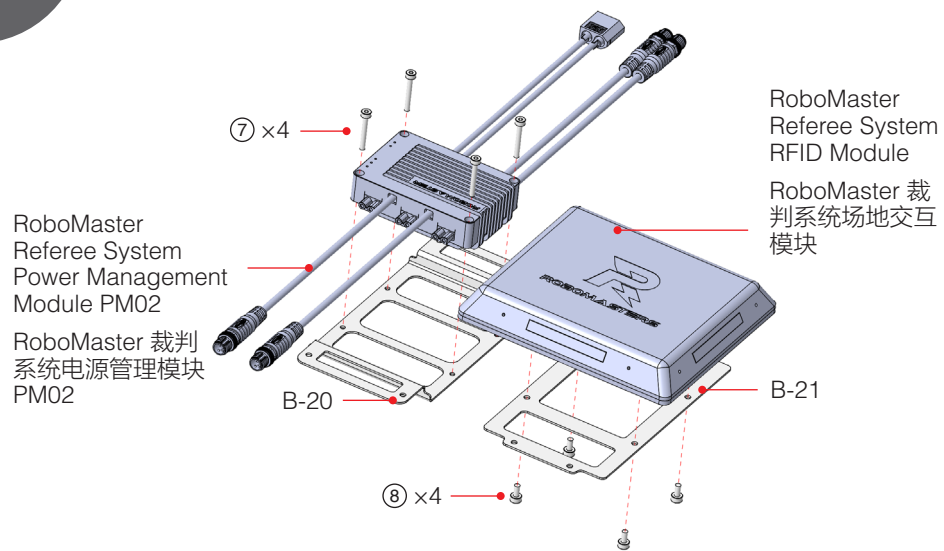
23



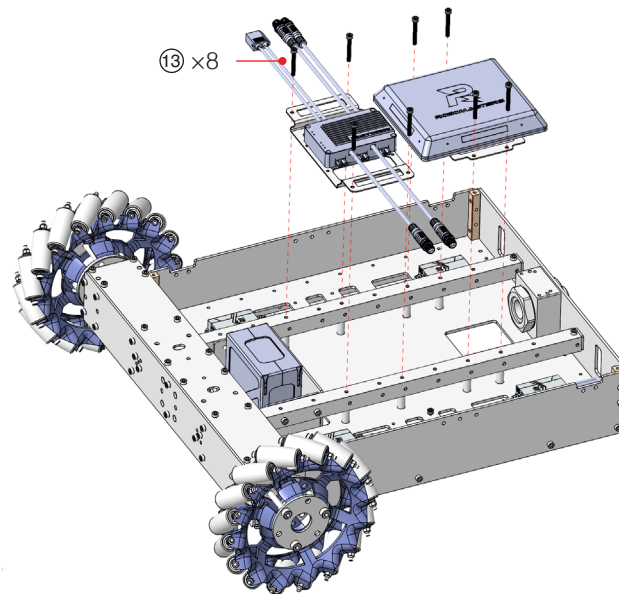
24



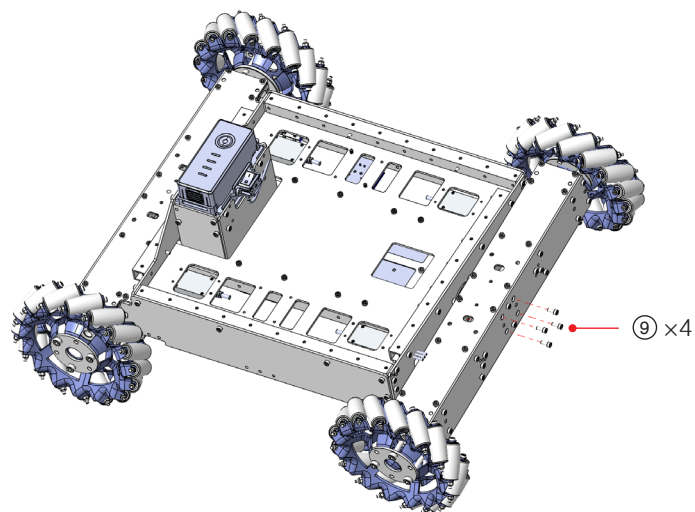
25



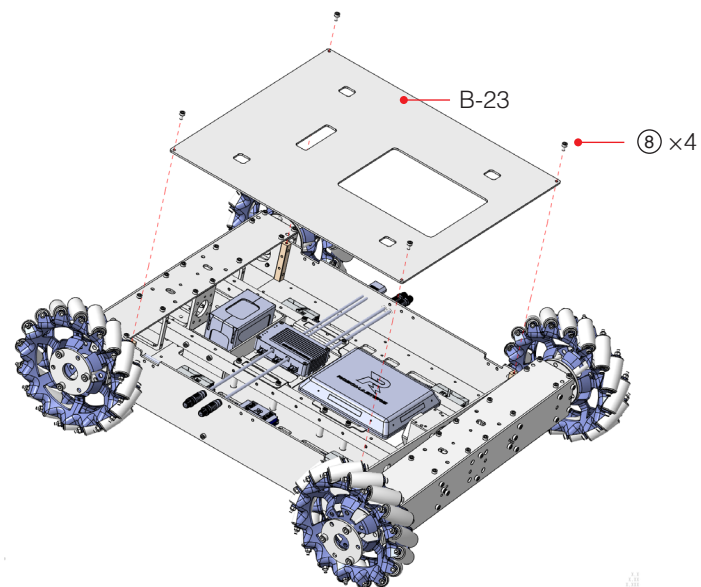
26



27



28

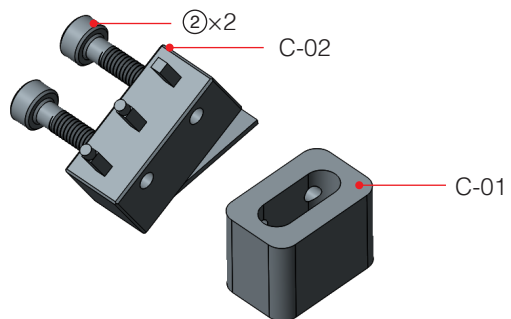


**Step 3** Assembling Launching Mechanism

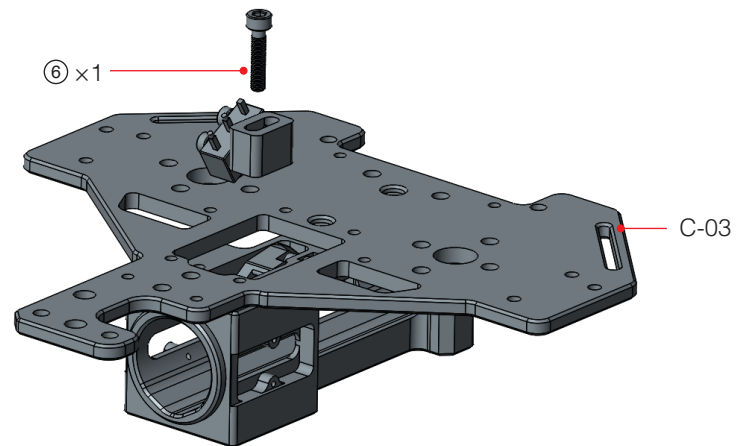
**第三步** 组装发射机构



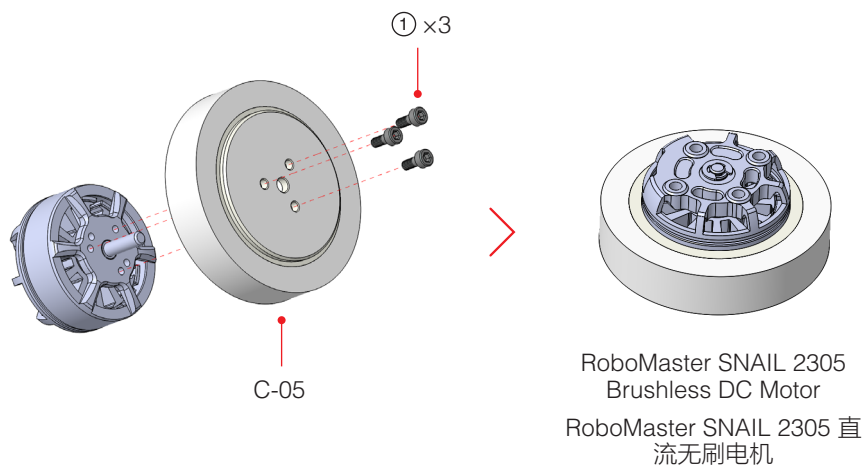
29



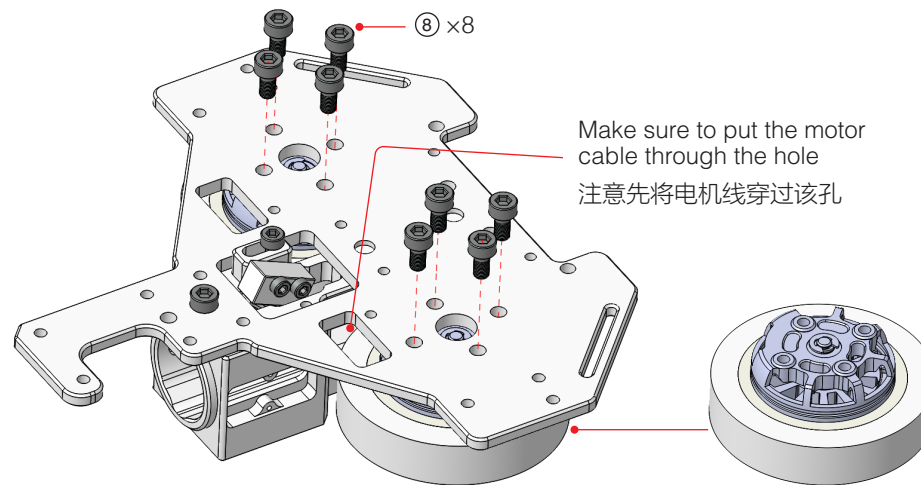
30



31

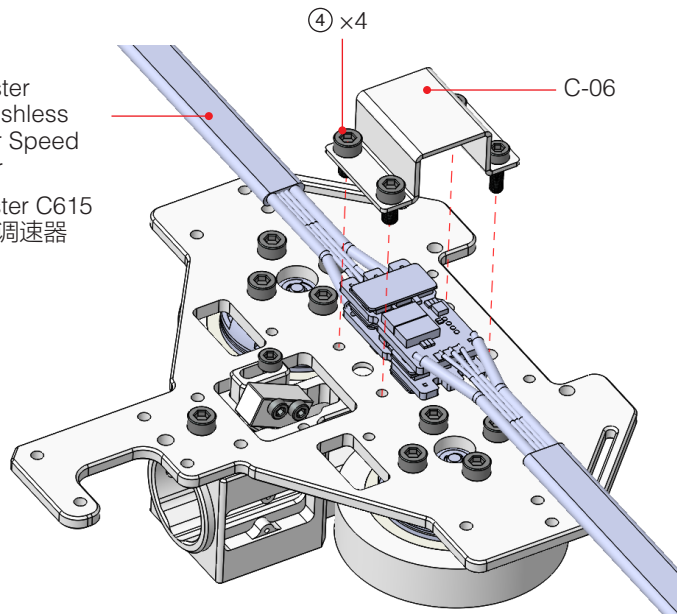


32



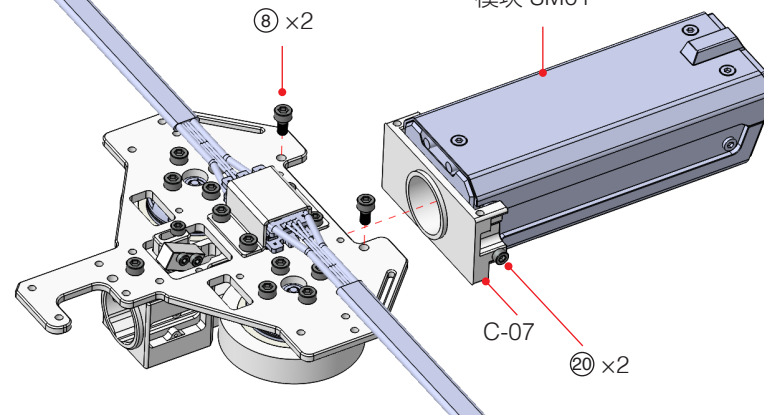
33

RoboMaster C615 Brushless DC Motor Speed Controller  
RoboMaster C615 无刷电机调速器

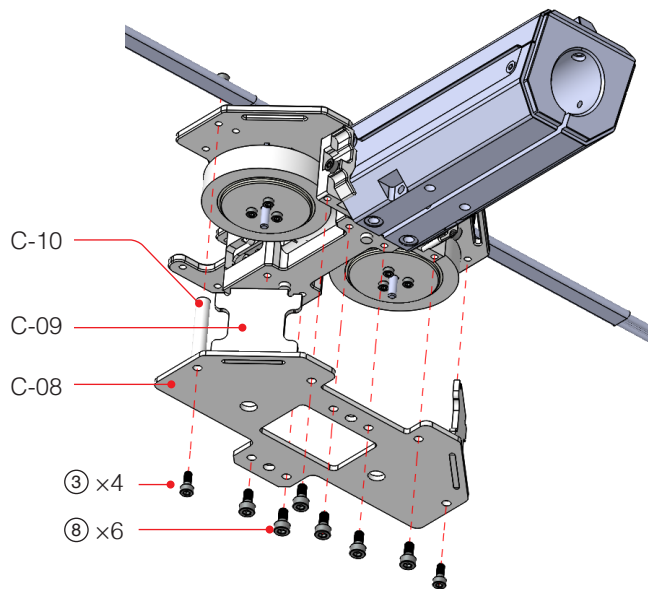


34

RoboMaster Referee System Speed Monitor Module SM01  
RoboMaster 裁判系统测速模块 SM01



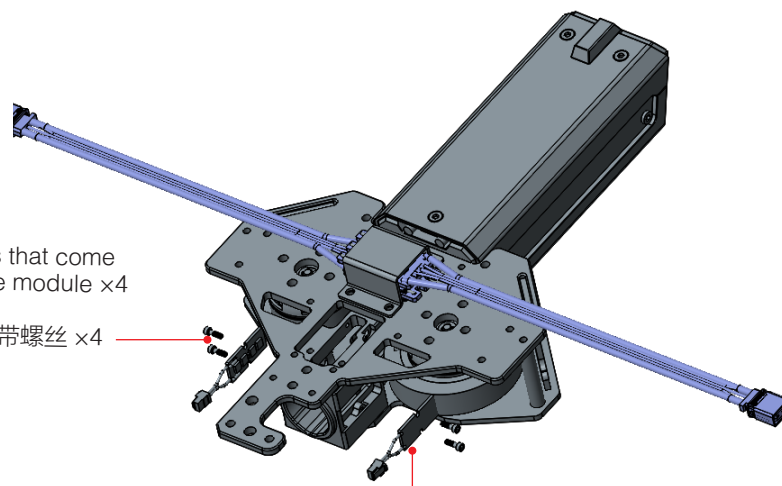
35



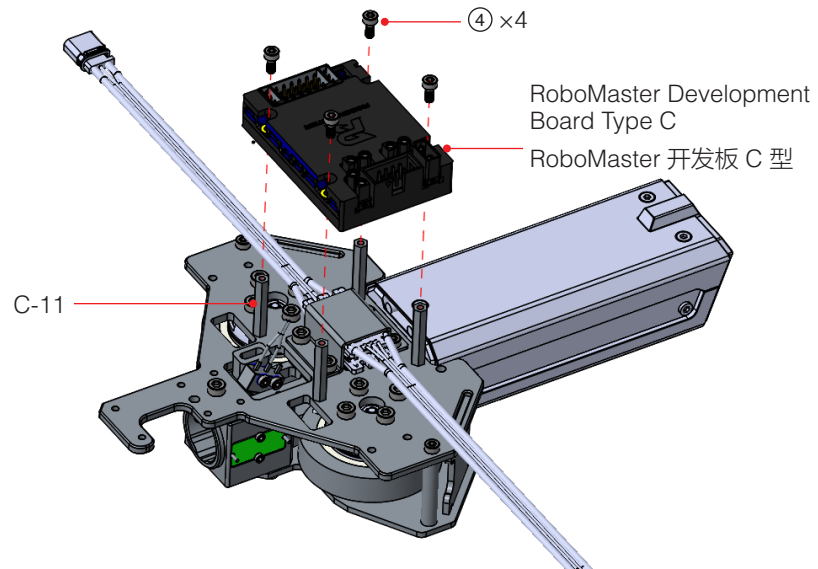
36

Screws that come with the module x4

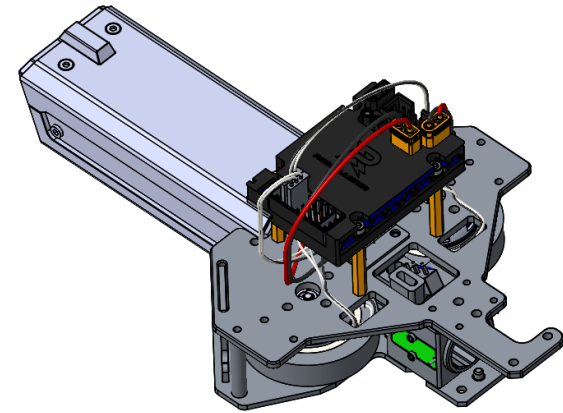
模块自带螺丝 x4



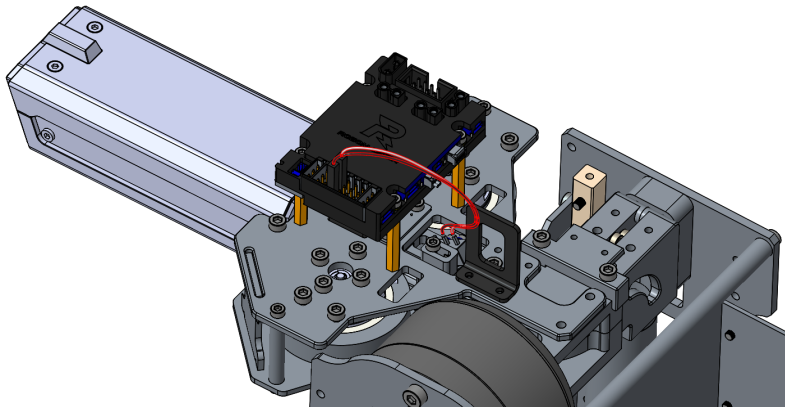
RoboMaster 17mm Fluorescent Projectile Charging Device - UV Light Plate  
RoboMaster 17mm 荧光弹丸充能装置 - 紫外灯板



### Cabling Step 1 接线步骤 1



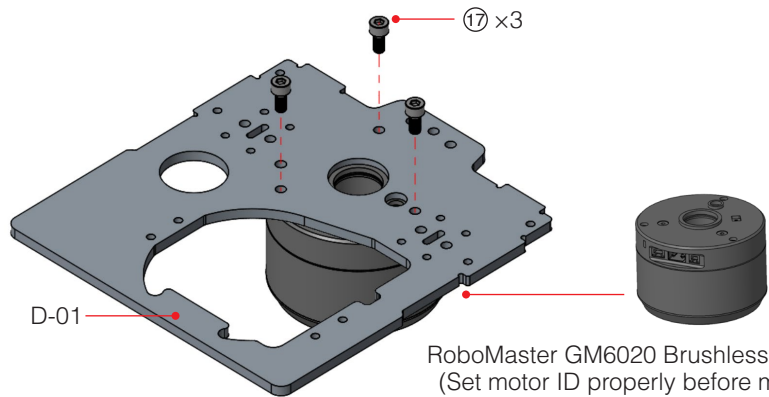
### Cabling Step 2 接线步骤 2



**Step 4** Assembling Gimbal

**第四步** 组装云台

38

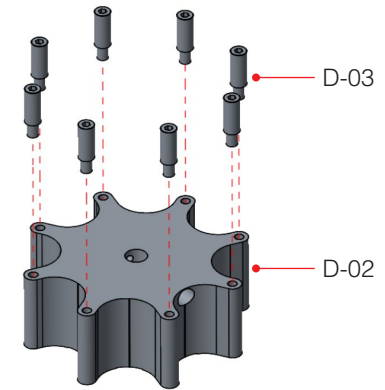


⑰ × 3

D-01

RoboMaster GM6020 Brushless DC Motor  
(Set motor ID properly before mounting)  
RoboMaster GM6020 电机 (安装之前先设置好电机 ID)

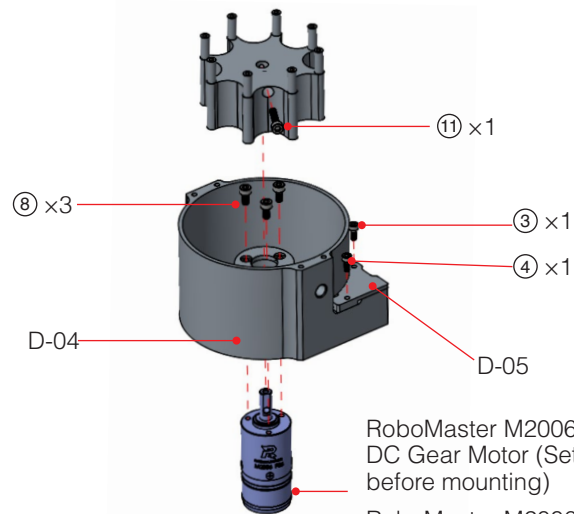
39



D-03

D-02

40



⑪ × 1

⑧ × 3

③ × 1

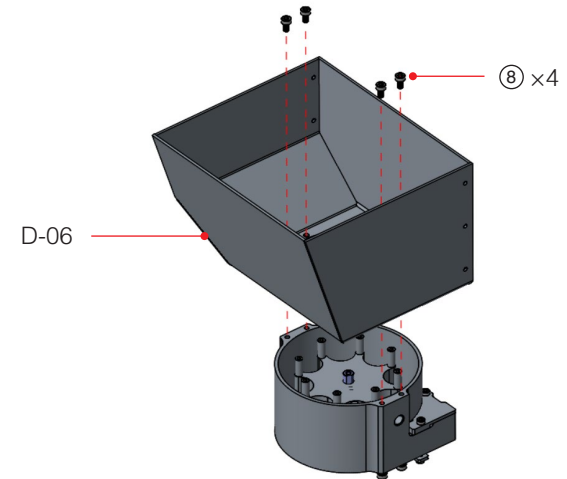
④ × 1

D-04

D-05

RoboMaster M2006 P36 Brushless DC Gear Motor  
(Set motor ID properly before mounting)  
RoboMaster M2006 P36 直流无刷减速电机 (安装之前先设置好电机 ID)

41

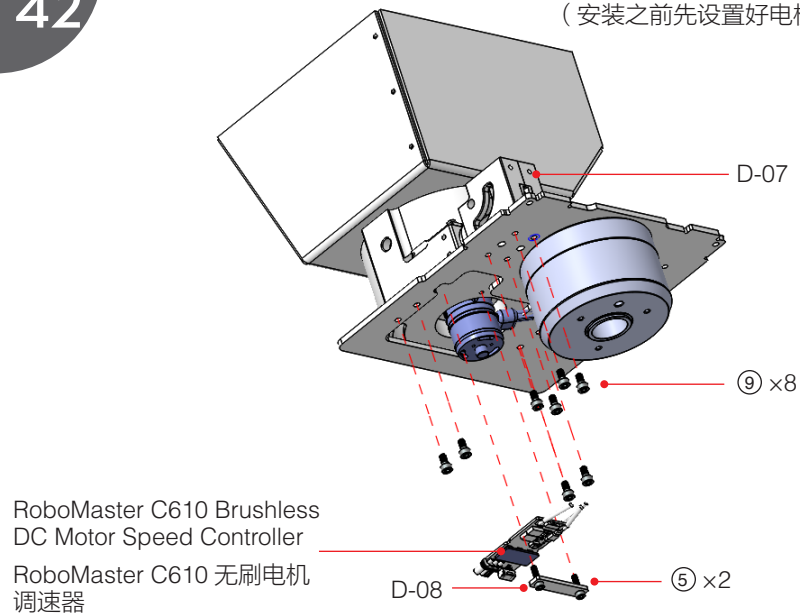


⑧ × 4

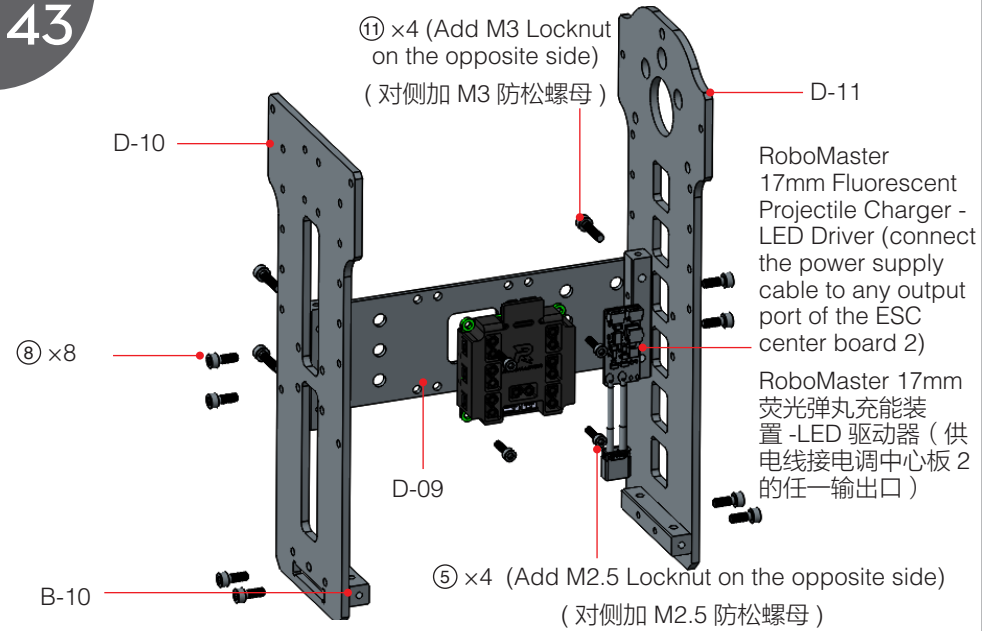
D-06

42

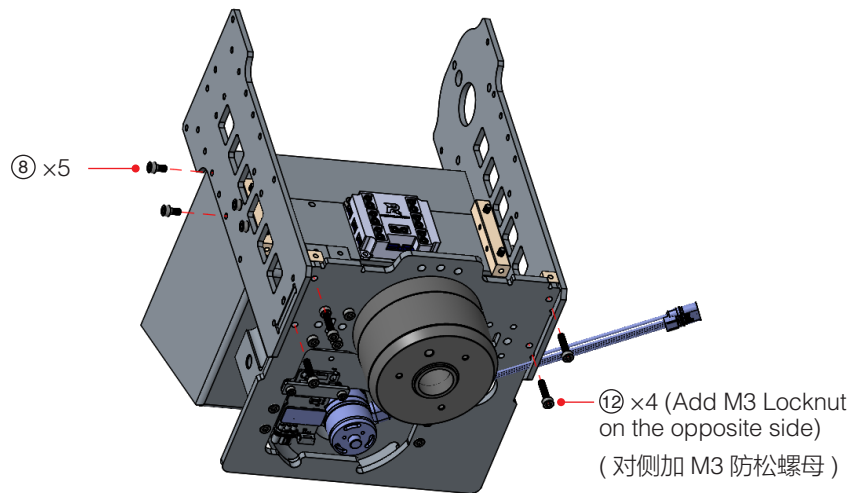
(Set motor ID properly before mounting)  
(安装之前先设置好电机 ID)



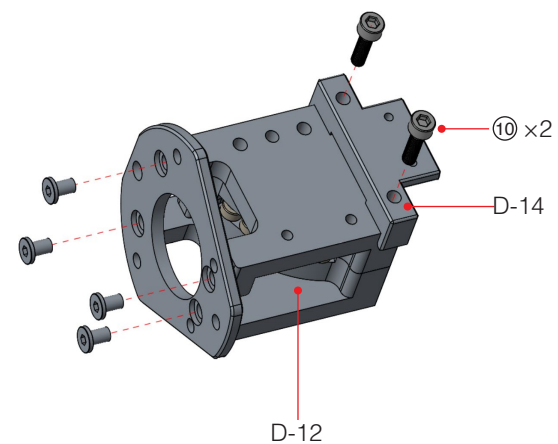
43



44

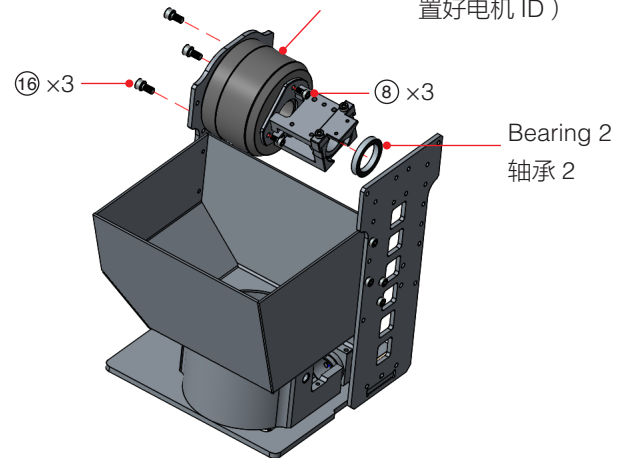


45

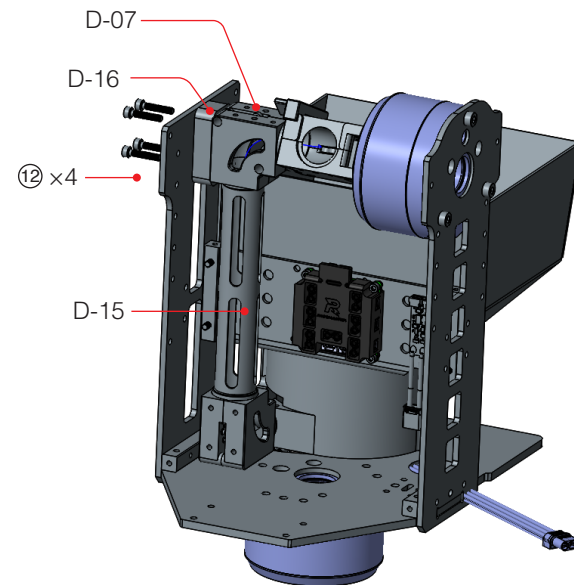


46

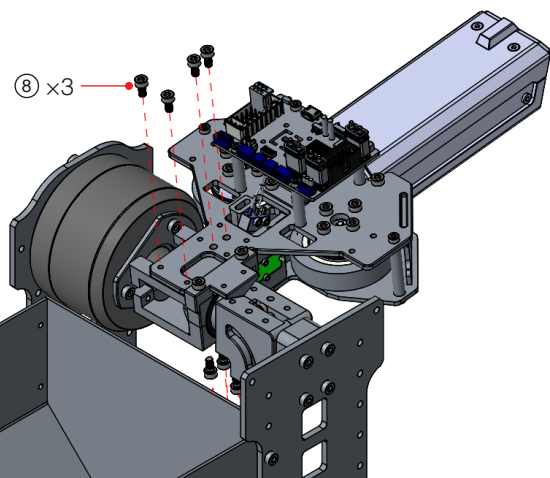
RoboMaster GM6020 Brushless DC Motor  
(Set motor ID properly before mounting)  
RoboMaster GM6020 电机 (安装之前先设置好电机 ID)



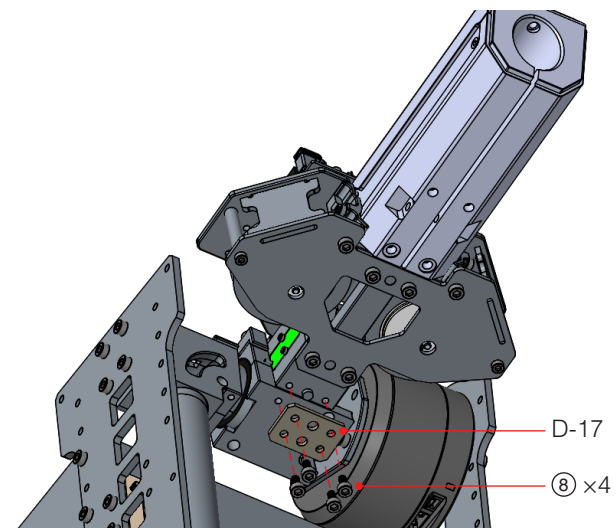
47



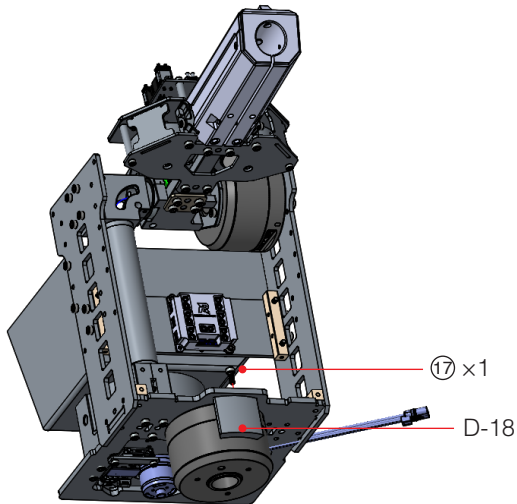
48



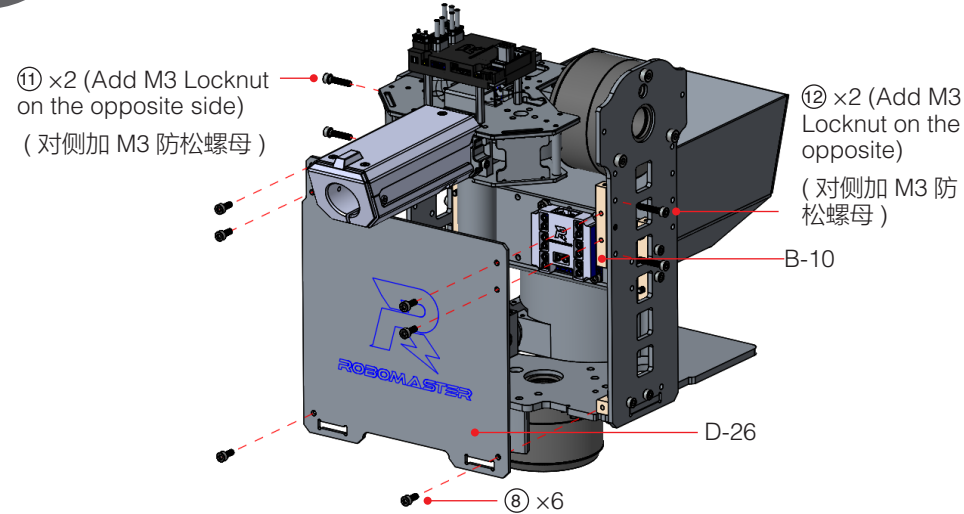
49



50



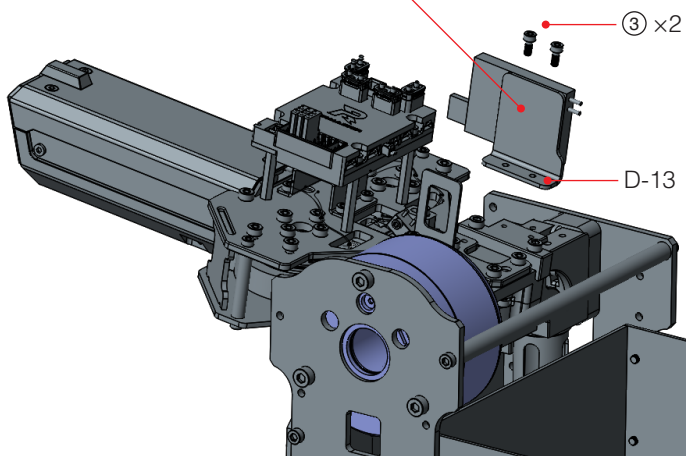
51



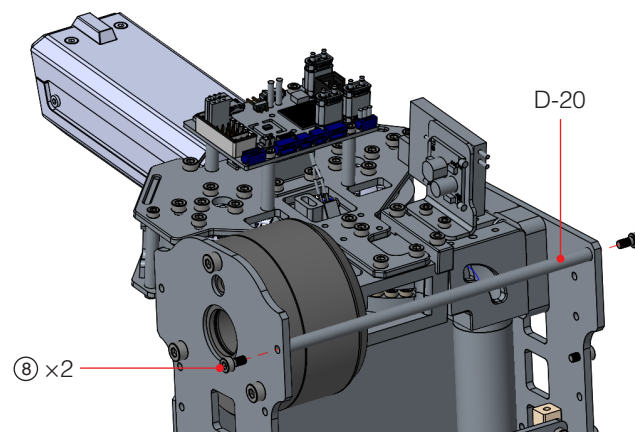
52

DR16 Receiver, Board - fasten with 3M glue  
DR16 接收机, 请用 3M 胶粘接固定

DR16 Receiver  
DR16 接收机

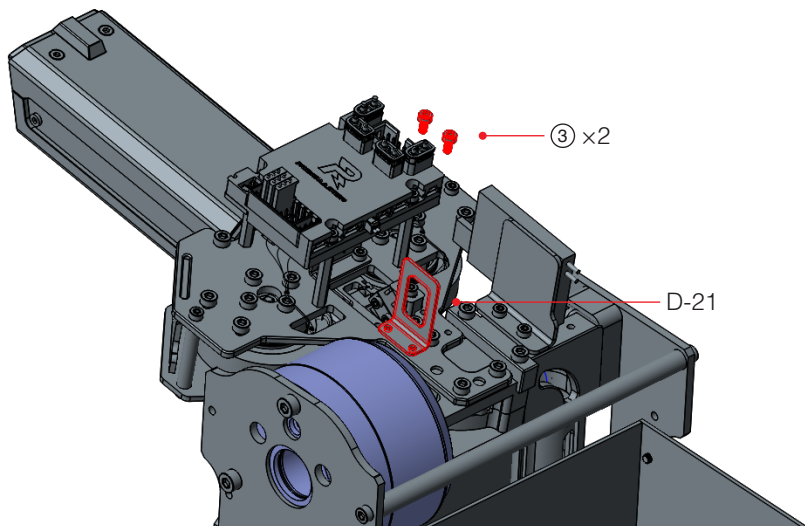


53



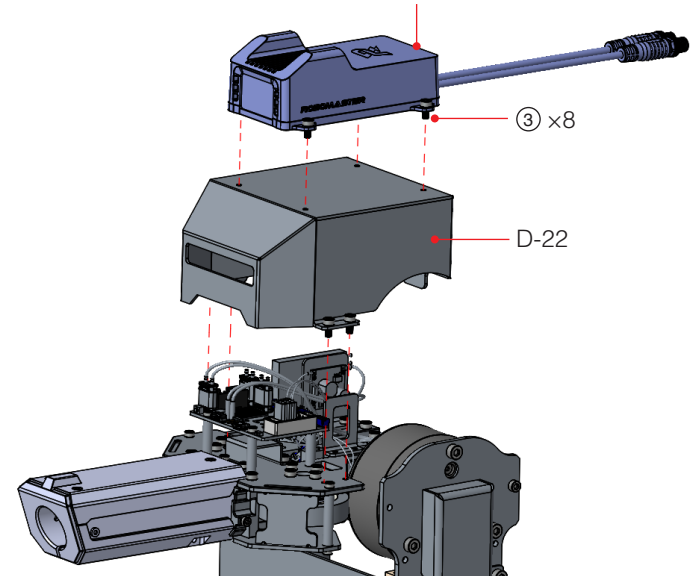


54

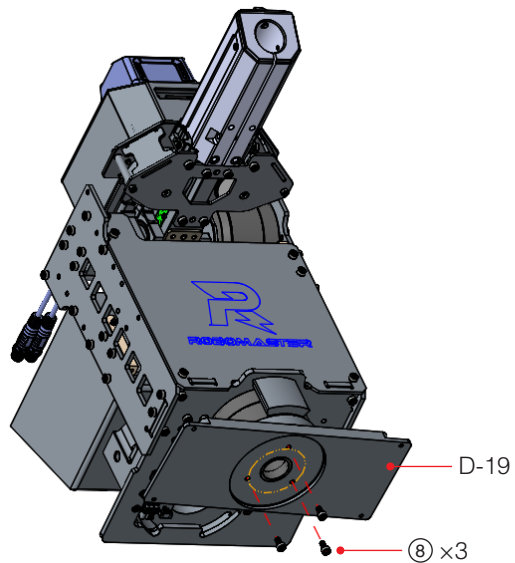


55

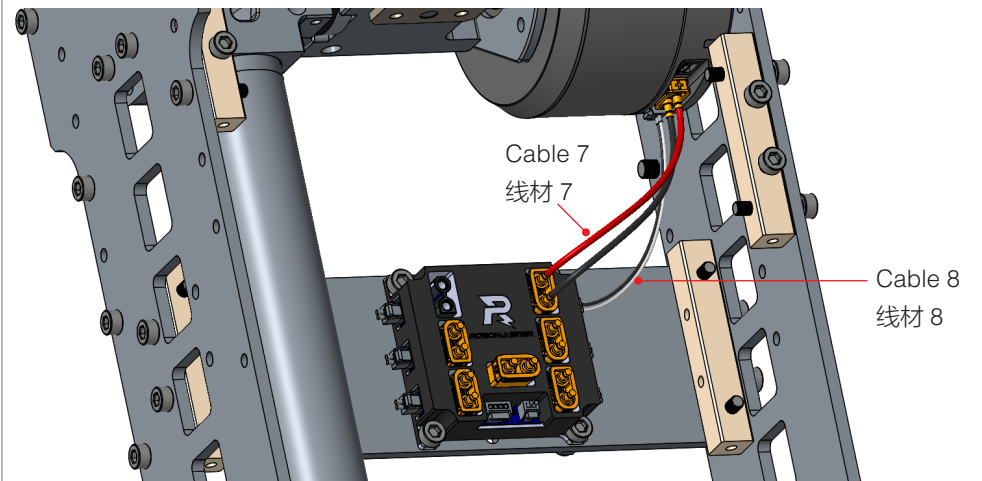
RoboMaster Referee System VTM Transmitter VT02  
RoboMaster 裁判系统相机图传模块（发送端）VT02



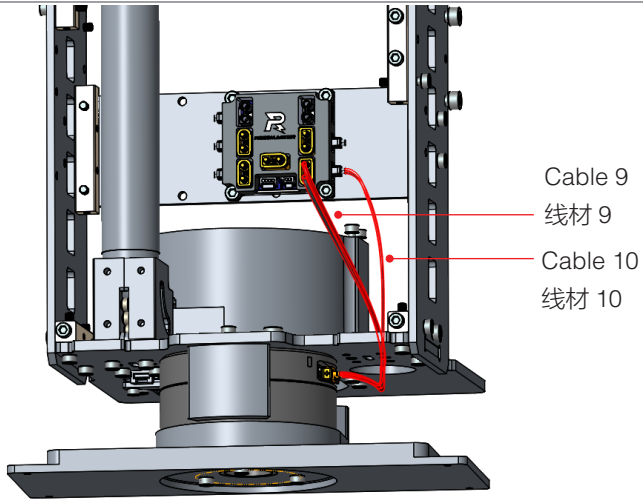
56



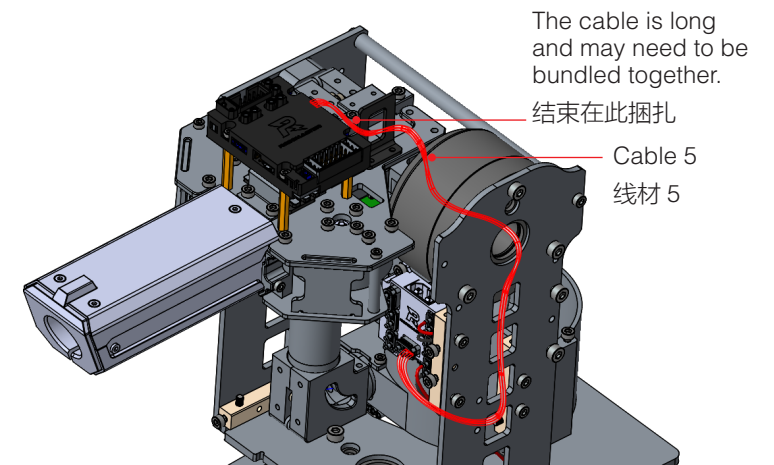
Cabling Step 4  
接线步骤 4



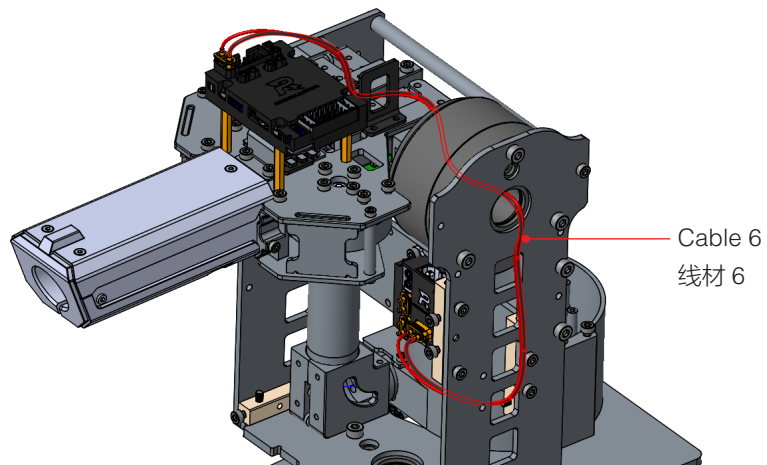
Cabling Step 5  
接线步骤 5



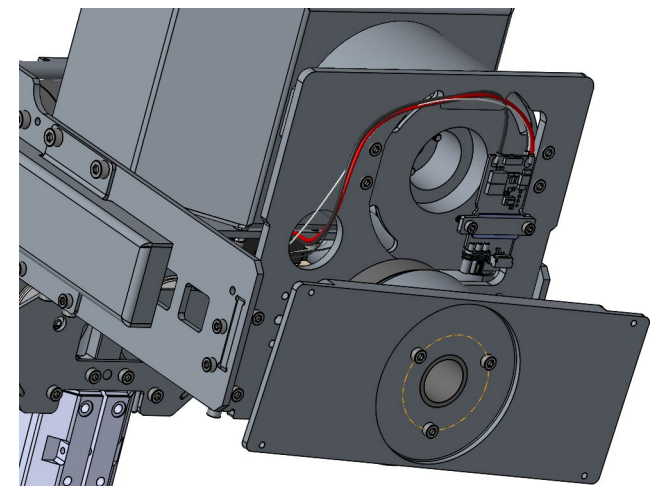
Cabling Step 6  
接线步骤 6



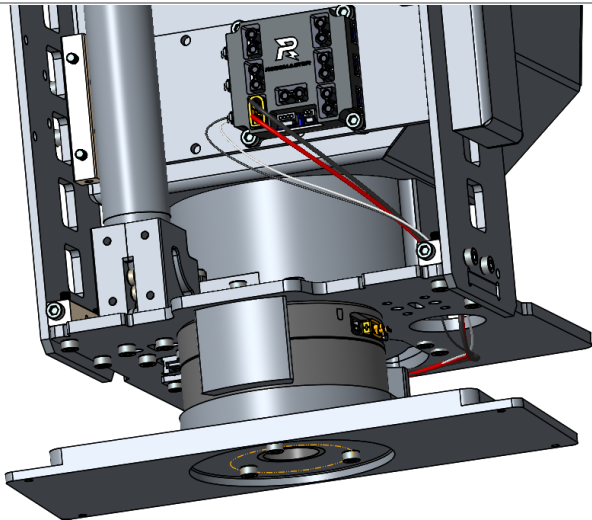
Cabling Step 7  
接线步骤 7



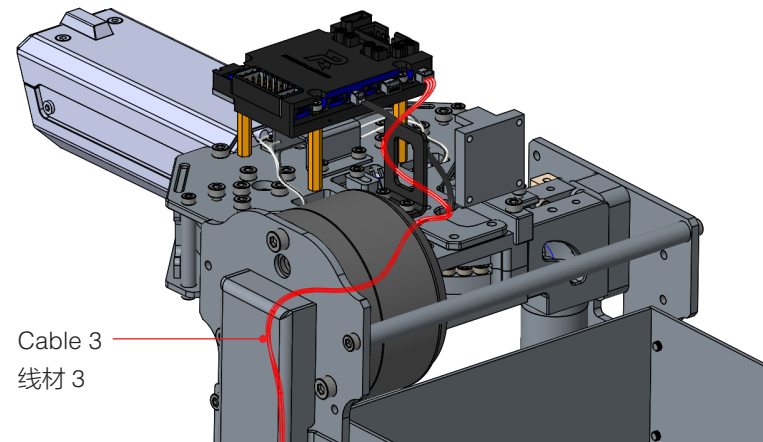
Cabling Step 8-1  
接线步骤 8-1



Cabling Step 8-2  
接线步骤 8-2



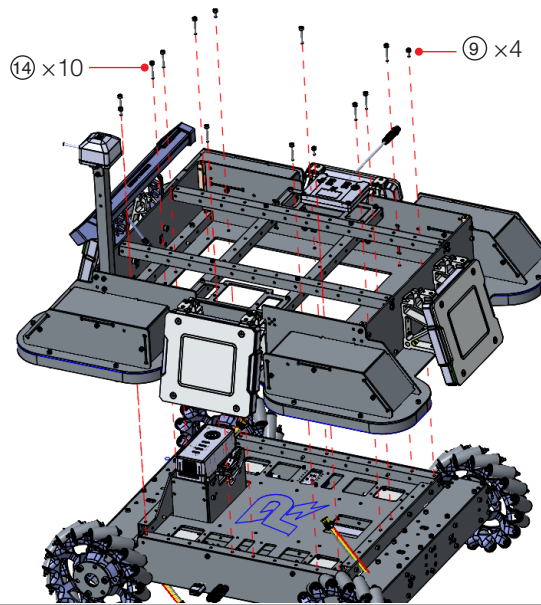
Cabling Step 9-1  
接线步骤 9-1



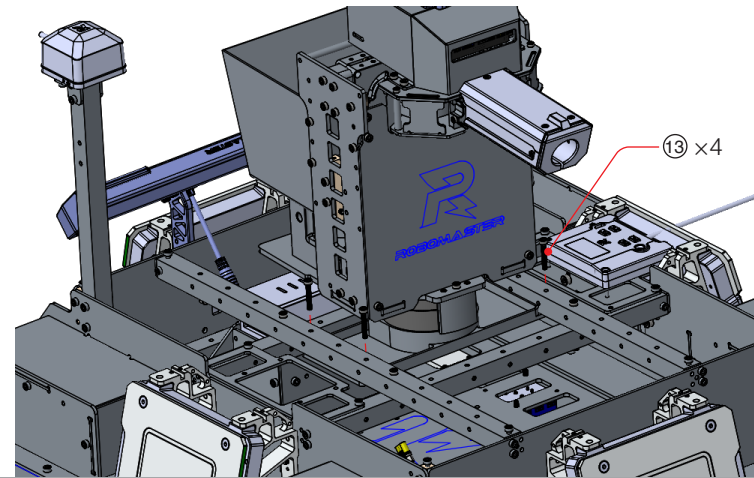
**Step 5** Assembling Whole Robot

**第五步** 整车装配

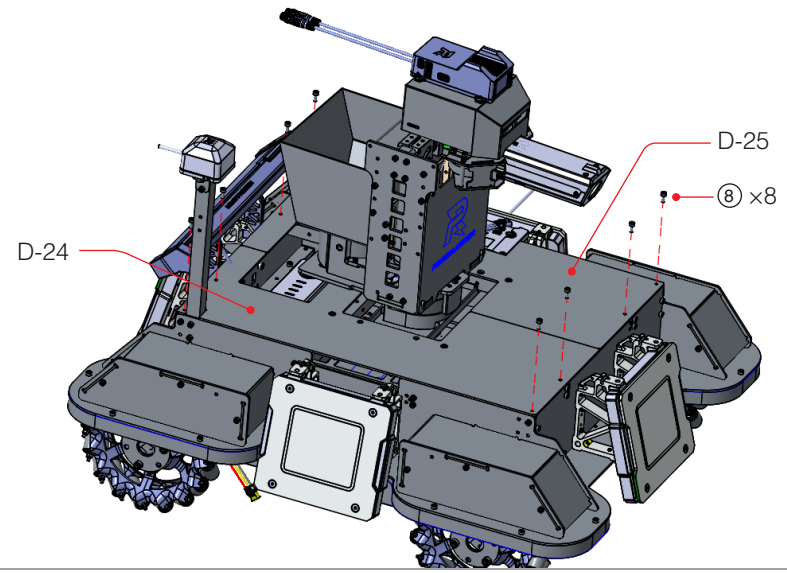
57



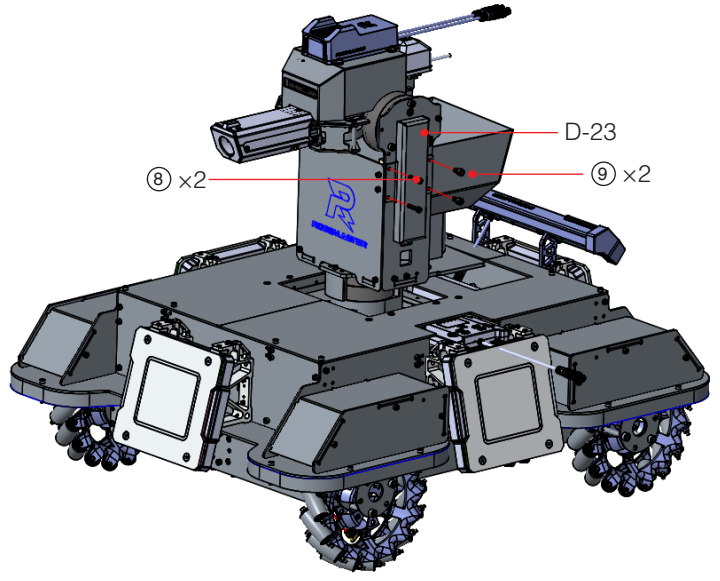
58



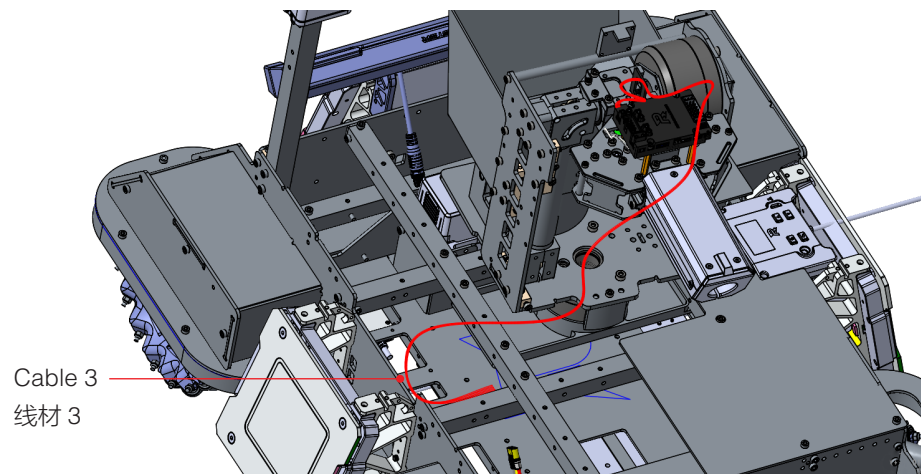
59



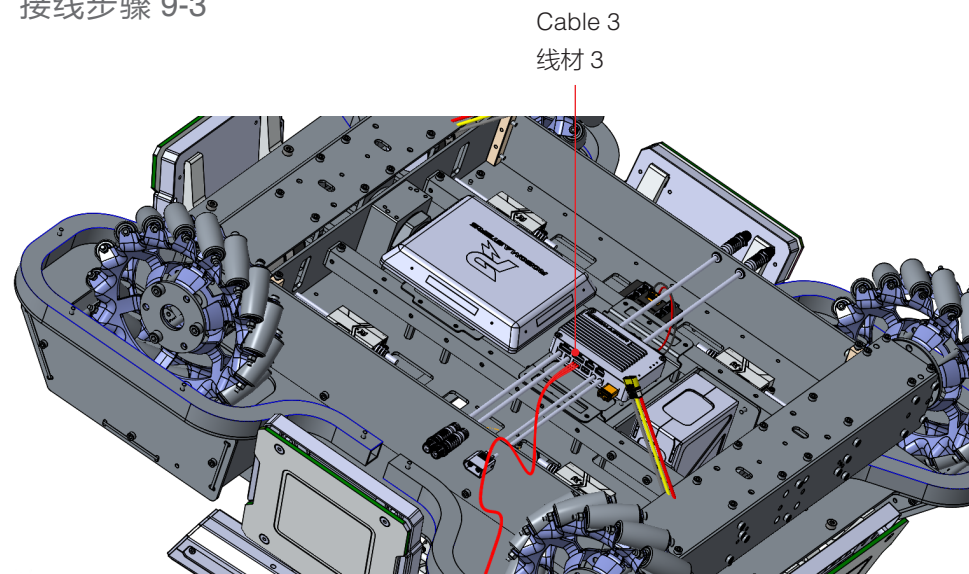
60



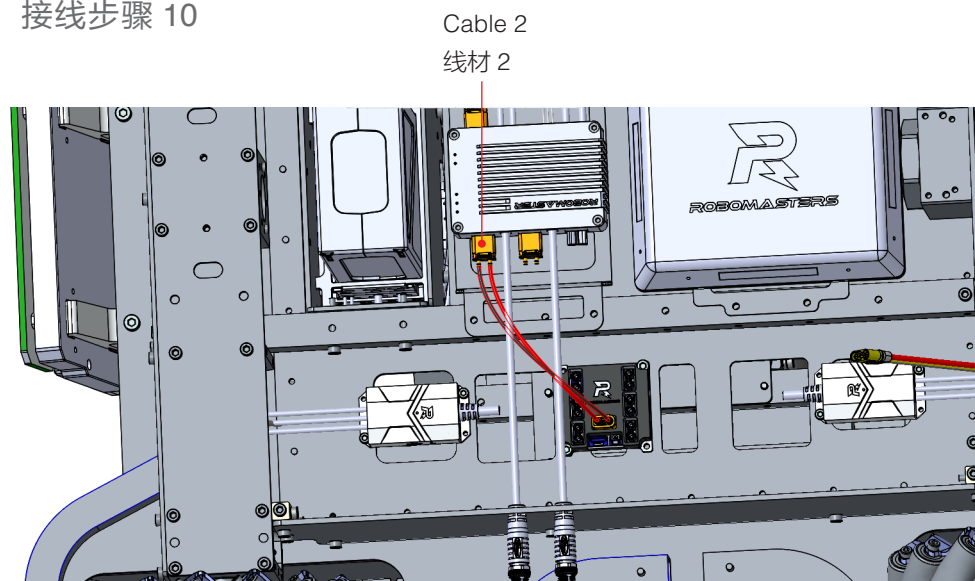
Cabling Step 9-2  
接线步骤 9-2



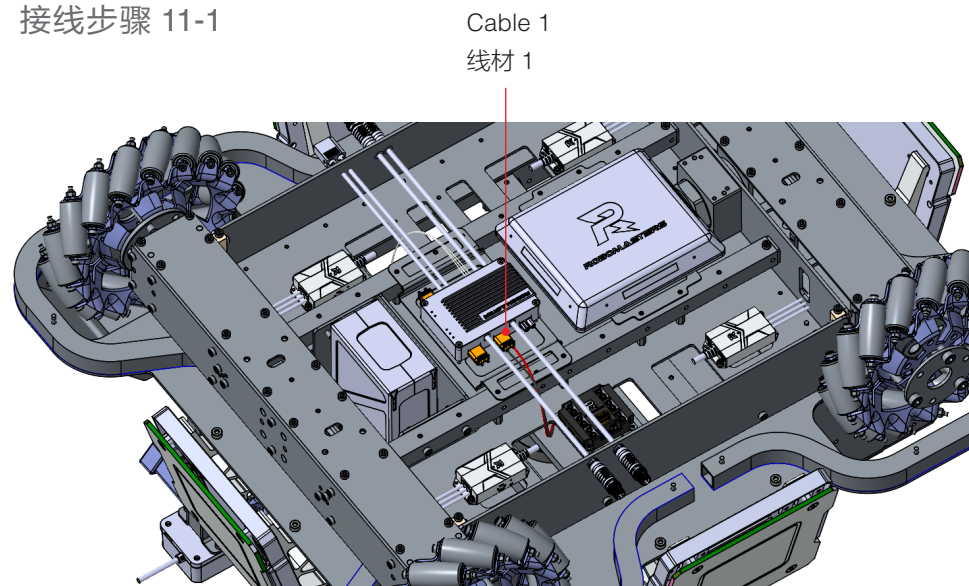
Cabling Step 9-3  
接线步骤 9-3



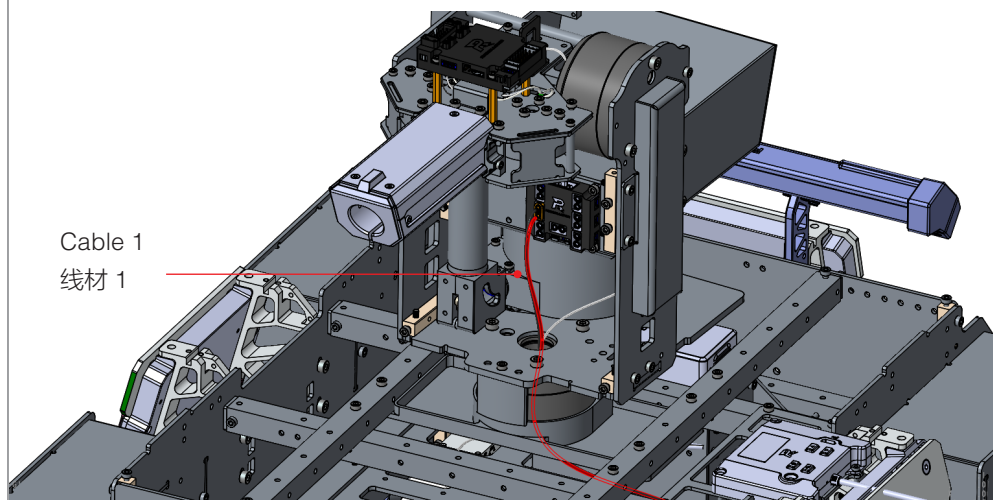
Cabling Step 10  
接线步骤 10



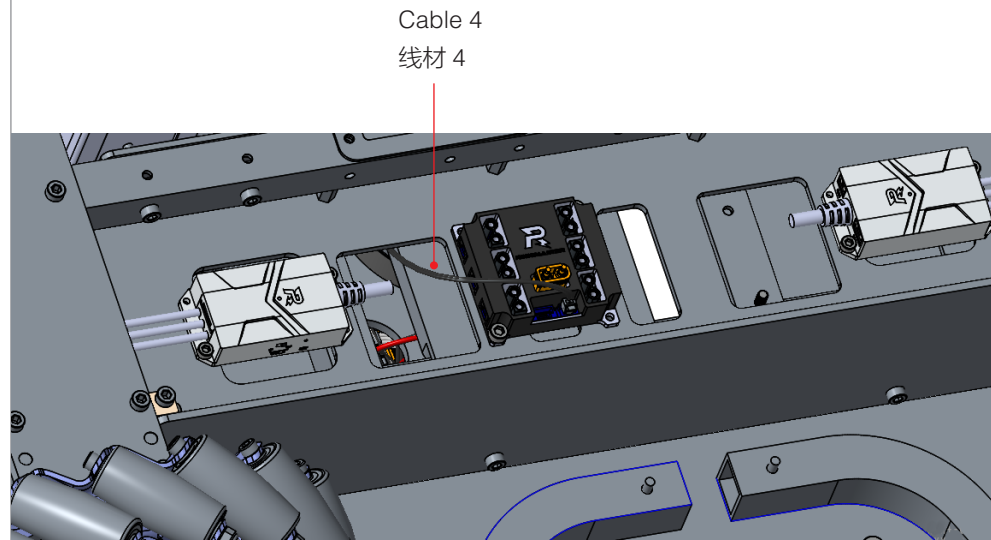
Cabling Step 11-1  
接线步骤 11-1



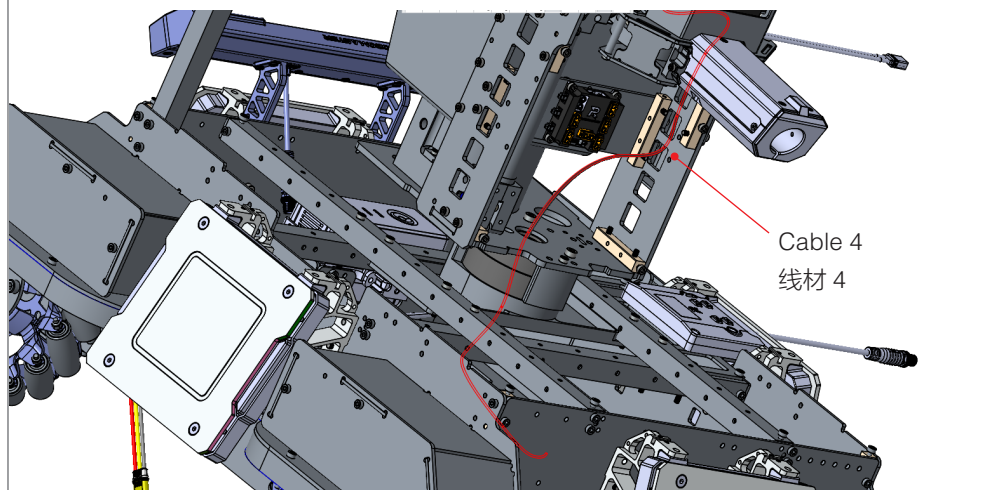
Cabling Step 11-2  
接线步骤 11-2



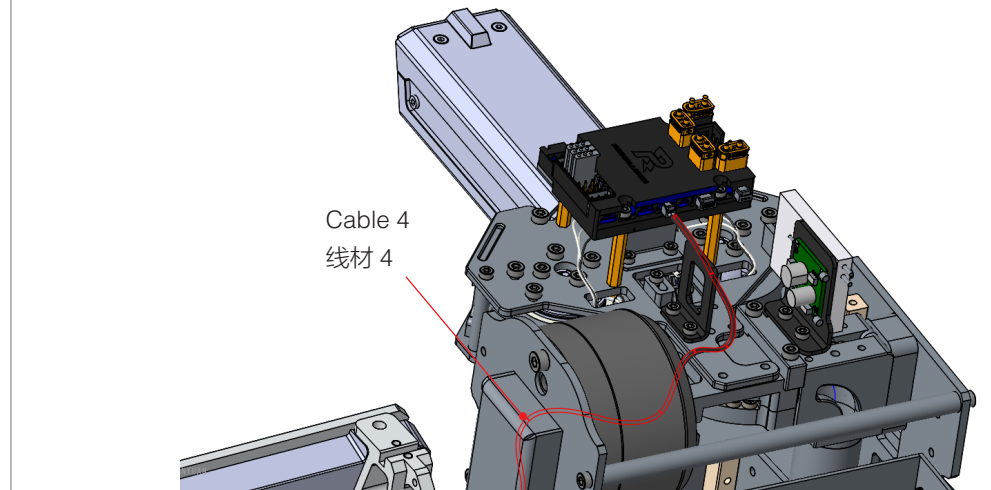
Cabling Step 12-1  
接线步骤 12-1



Cabling Step 12-2  
接线步骤 12-2



Cabling Step 12-3  
接线步骤 12-3







The content is subject to update without notice.

For detailed product information, please visit the product page on RoboMaster official Website.

**<https://www.robomaster.com>**

内容如有更新，恕不另行通知。

了解产品详细信息，请访问 RoboMaster 官网产品页面。

**<https://www.robomaster.com>**

**R** and **ROBOMASTER** are trademarks of DJI.

Copyright © 2020 DJI All Rights Reserved.

**R** 和 **ROBOMASTER** 是大疆创新的商标。

Copyright © 2020 大疆创新 版权所有